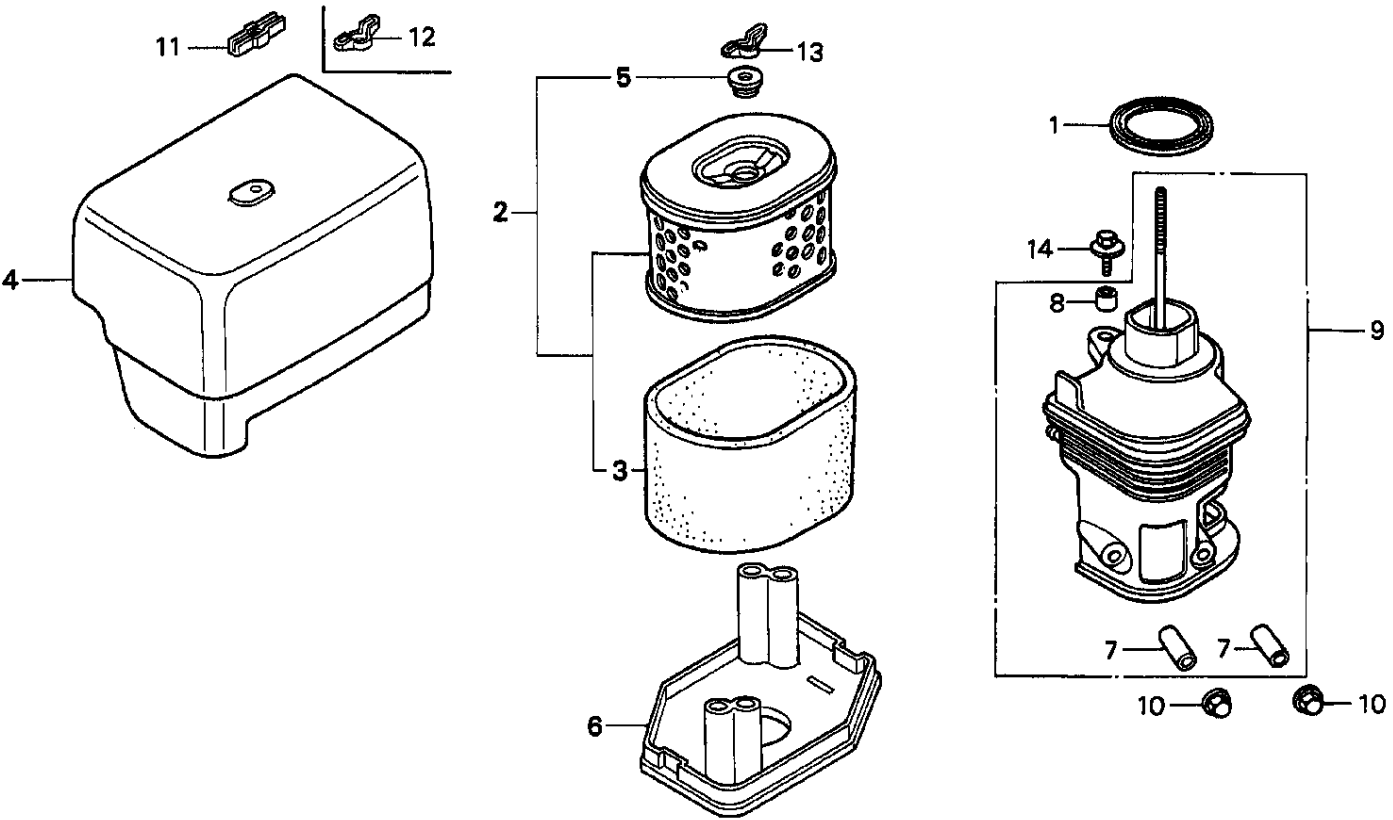


Tools Renewed Inc.

800-247-3639

Fax

860-665-9821



FR. →

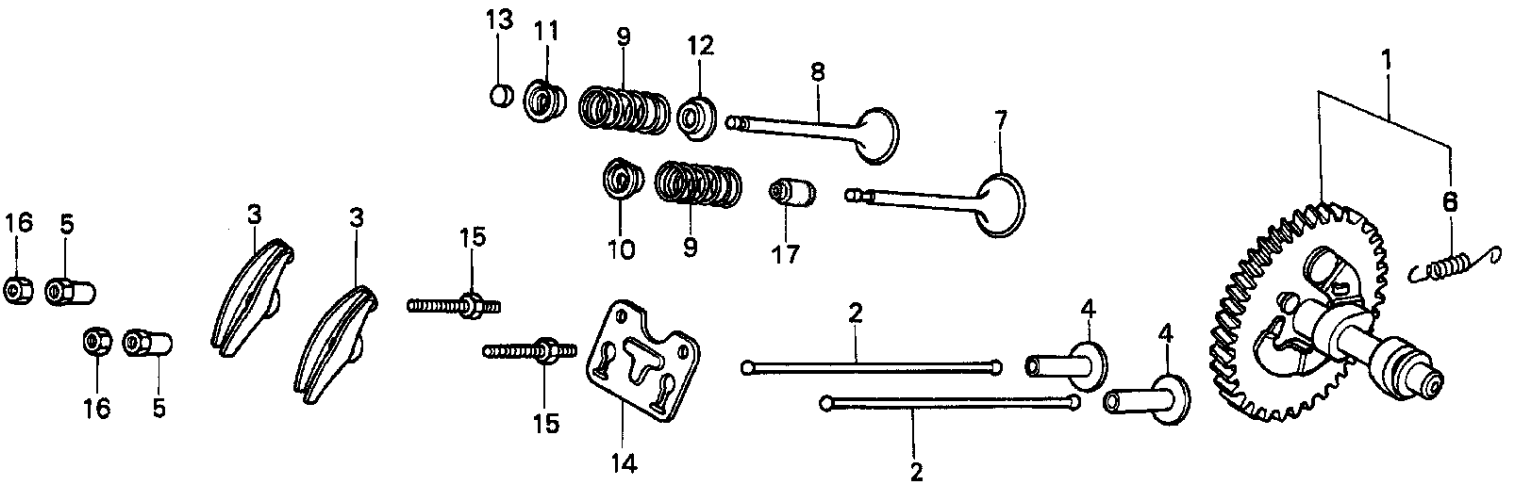
| Ref # | Part Number | Qty | Description |
|-------|----------------|-----|--|
| 1 | 16271-ZE2-000 | 1 | GASKET, ELBOW (Honda Code 2025948). |
| 2 | 17210-ZE3-010 | 1 | ELEMENT, AIR CLEANER (Honda Code 2893907). |
| 2 | 17210-ZE3-505 | 1 | ELEMENT, AIR CLEANER (Honda Code 5252697). |
| 3 | 17218-ZE3-000 | 1 | FILTER (OUTER) (Honda Code 2577377). |
| 3 | 17218-ZE3-505 | 1 | FILTER (OUTER) (Honda Code 5281449). |
| 4 | 17231-ZE3-W00 | 1 | COVER, AIR CLEANER (Honda Code 3713245). |
| 4 | 17231-ZE3-W01 | 1 | COVER, AIR CLEANER (Honda Code 6722623). |
| 5 | 17232-891-000 | 1 | GROMMET, AIR CLEANER (Honda Code 0999763). |
| 6 | 17235-ZH9-N00 | 1 | NOSE, MUFFLER (Honda Code 3713252). |
| 7 | 17238-ZE2-310 | 2 | COLLAR, AIR CLEANER (Honda Code 2384105). |
| 8 | 17239-ZE1-000 | 1 | COLLAR B, AIR CLEANER (Honda Code 1427533). |
| 9 | 17410-ZH9-N00 | 1 | ELBOW, AIR CLEANER (Honda Code 3713260). |
| 10 | 90201-415-000 | 2 | NUT, CAP (6MM) Use up to Engine SN 2066080. (Honda Code 0670729). |
| 10 | 94050-06000 | 2 | NUT, FLANGE (6MM) Use from Engine SN 2066081. (Honda Code 0471623). |
| 11 | 90203-PB2-000 | 1 | WINGNUT, AIR CLEANER COVER Use up to Engine SN 2042138. (Honda Code 0994855). |
| 11 | 90203-ZA0-800 | 1 | WINGNUT (6MM) Use from Engine SN 2042139 to 2125884. (Honda Code 1742238). |
| 12 | 90325-044-000 | 1 | WINGNUT, TOOL BOX SETTING Use from Engine SN 2125885. (Honda Code 0127720). |
| 13 | 90325-044-000 | 1 | WINGNUT, TOOL BOX SETTING (Honda Code 0127720). |
| 14 | 93404-06020-08 | 1 | BOLT-WASHER (6X20) (Honda Code 2410694). |
| 14 | 93494-06020-08 | 1 | BOLT-WASHER (6X20) (Honda Code 0468421). |

Tools Renewed Inc.

800-247-3639

Fax

860-665-9821



FR. 

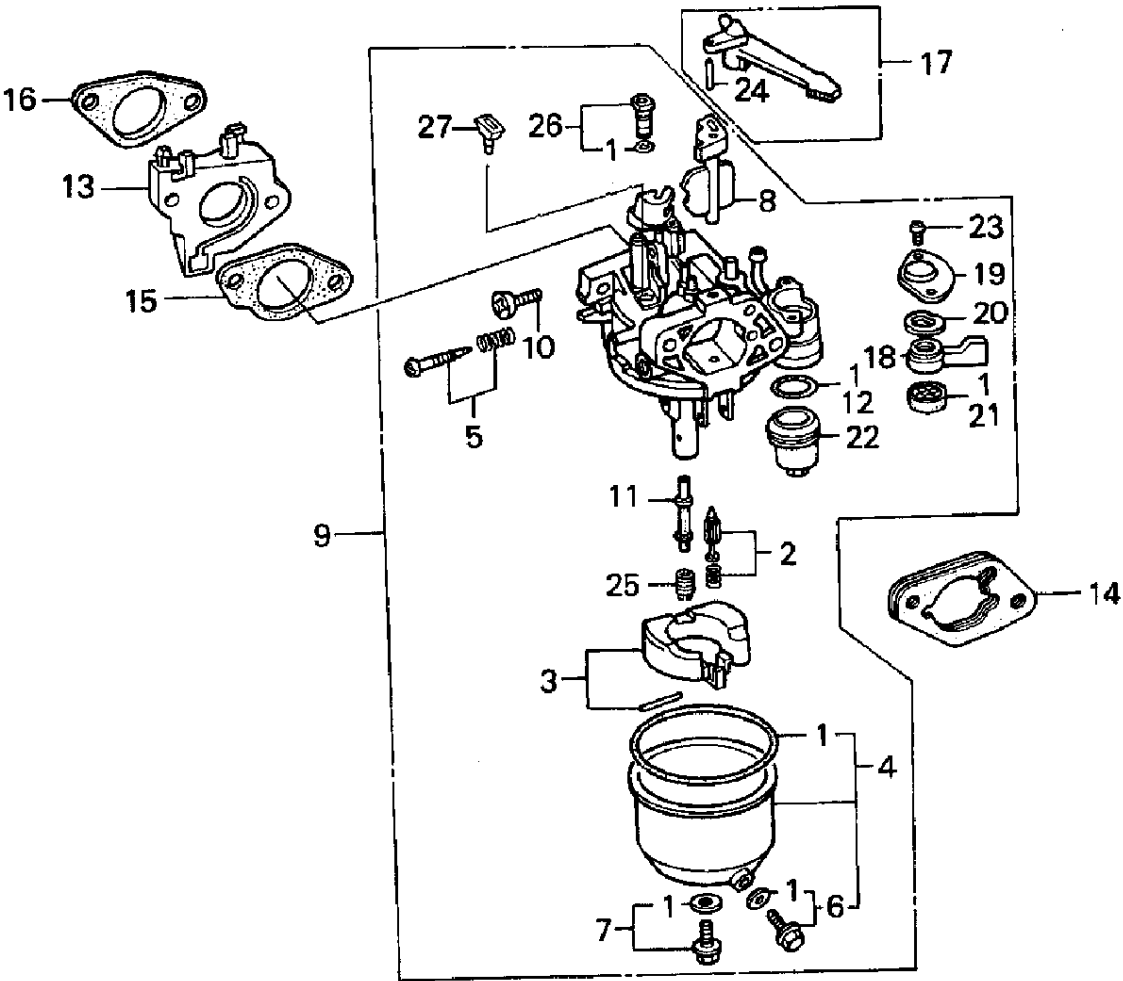
| Ref # | Part Number | Qty | Description |
|-------|--|-----|--|
| 1 | 14100-ZF6-W00 | 1 | CAMSHAFT ASSY. Use up to Engine SN 2391939. (Honda Code 3713096). Page 4 of 40 |
| | GX390K1 QNE ENGINE, JPN, VIN# GCAA-2000001 | | |
| 1 | 14100-ZF6-W01 | 1 | CAMSHAFT ASSY. Use from Engine SN 2391940. (Honda Code 5680988). |
| 1 | 14100-ZF6-305 | 1 | CAMSHAFT Use up to Engine SN 2391939. (Honda Code 4730537). |
| 2 | 14410-ZE3-013 | 2 | ROD, PUSH (Honda Code 3371804). |
| 3 | 14431-ZE2-000 | 2 | ARM, VALVE ROCKER (Honda Code 2025591). |
| 3 | 14431-ZE2-010 | 2 | ARM, VALVE ROCKER (Honda Code 6206254). |
| 4 | 14441-ZE2-000 | 2 | LIFTER, VALVE (Honda Code 2025609). |
| 5 | 14451-ZE1-003 | 2 | PIVOT, ROCKER ARM (Honda Code 1540764). |
| 5 | 14451-ZE1-013 | 2 | PIVOT, ROCKER ARM (Honda Code 4300901). |
| 6 | 14568-ZE1-000 | 1 | SPRING, WEIGHT RETURN (Honda Code 1426907). |
| 7 | 14711-ZE3-000 | 1 | VALVE, IN. (Honda Code 2107779). |
| 8 | 14721-ZE3-000 | 1 | VALVE, EX. (Honda Code 2107787). |
| 9 | 14751-ZE2-003 | 2 | SPRING, VALVE (Honda Code 2025633). |
| 10 | 14771-ZE2-000 | 1 | RETAINER, IN. VALVE SPRING (Honda Code 2025641). |
| 11 | 14773-ZE2-000 | 1 | RETAINER, EX. VALVE SPRING (Honda Code 2025658). |
| 12 | 14775-ZE2-010 | 1 | SEAT, VALVE SPRING (Honda Code 2157485). |
| 13 | 14781-ZE2-000 | 1 | ROTATOR, VALVE (Honda Code 2025666). |
| 14 | 14791-ZE2-010 | 1 | PLATE, PUSH ROD GUIDE (Honda Code 3707494). |
| 15 | 90012-ZE0-010 | 2 | BOLT, PIVOT (8MM) (Honda Code 1756964). |
| 16 | 90206-ZE1-000 | 2 | NUT, PIVOT ADJ. (Honda Code 1431287). |

Tools Renewed Inc.

800-247-3639

Fax

860-665-9821



FR. 

| Ref # | Part Number | Qty | Description |
|-------|---------------|-----|---|
| 1 | 16010-ZE2-812 | 1 | GASKET SET (Honda Code 3511383). |
| 2 | 16011-ZA0-931 | 1 | VALVE SET, FLOAT (Honda Code 2059236). |
| 3 | 16013-ZA0-991 | 1 | FLOAT SET (Honda Code 2059244). |
| 4 | 16015-ZE2-005 | 1 | CHAMBER SET, FLOAT Use up to Engine SN BE48B A. (Honda Code 2157493). |
| 4 | 16015-ZE8-005 | 1 | CHAMBER SET, FLOAT Use up to Engine SN BE48B A. (Honda Code 2089993). |
| 4 | 16015-ZE8-005 | 1 | CHAMBER SET, FLOAT Use from Engine SN BE48B B. (Honda Code 2089993). |
| 5 | 16016-ZE0-005 | 1 | SCREW SET, PILOT Use up to Engine SN BE85B A. (Honda Code 1441500). |
| 5 | 16016-ZH7-W01 | 1 | SCREW SET Use from Engine SN BE85B B. (Honda Code 4219879). |
| 6 | 16024-ZE1-811 | 1 | SCREW SET, DRAIN (Honda Code 1672187). |
| 7 | 16028-ZE0-005 | 1 | SCREW SET B (Honda Code 1441518). |
| 8 | 16044-ZE3-W20 | 1 | CHOKE SET (Honda Code 3713112). |
| 9 | 16100-ZF6-V01 | 1 | CARBURETOR ASSY. (BE85B B) Use from Engine SN 2658575. (Honda Code 5244827). |
| 9 | 16100-ZF6-W31 | 1 | CARBURETOR ASSY. (BE48B B) Use from Engine SN 2254364 to 2658574. (Honda Code 5175575). |
| 9 | 16100-ZF6-W31 | 1 | CARBURETOR ASSY. (BE48B B) Use up to Engine SN 2254363. (Honda Code 5175575). |
| 10 | 16124-ZE0-005 | 1 | SCREW, THROTTLE STOP (Honda Code 1441559). |
| 11 | 16166-ZF6-V00 | 1 | NOZZLE, MAIN Use from Engine SN BE85B B. (Honda Code 4723219). |
| 11 | 16166-ZF6-W20 | 1 | NOZZLE, MAIN Use up to Engine SN BE85B A. (Honda Code 3713153). |
| 12 | 16173-001-004 | 1 | GASKET, FUEL STRAINER CUP (Honda Code 0005652). |
| 13 | 16211-ZF6-000 | 1 | INSULATOR, CARBURETOR (Honda Code 3501277). |
| 14 | 16220-ZA0-702 | 1 | SPACER, CARBURETOR (Honda Code 2686533). |
| 15 | 16221-ZF6-800 | 1 | GASKET, CARBURETOR (Honda Code 3713161). |
| 16 | 16223-ZE3-W00 | 1 | GASKET, INSULATOR (Honda Code 3713179). |
| 17 | 16610-ZE1-000 | 1 | LEVER, CHOKE (STD) (Honda Code 1440114). |
| 18 | 16953-ZE1-406 | 1 | LEVER, VALVE Use up to Engine SN BE48B A. (Honda Code 5167358). |
| 18 | 16953-ZE1-811 | 1 | LEVER, VALVE Use up to Engine SN BE48B A. (Honda Code 1819986). |
| 18 | 16953-ZE1-812 | 1 | LEVER, VALVE Use from Engine SN BE48B B. (Honda Code 5140876). |
| 19 | 16954-ZE1-811 | 1 | PLATE, LEVER SETTING Use up to Engine SN BE48B A. (Honda Code 1807791). |
| 19 | 16954-ZE1-812 | 1 | PLATE, LEVER SETTING Use up to Engine SN BE48B A. (Honda Code 5148135). |

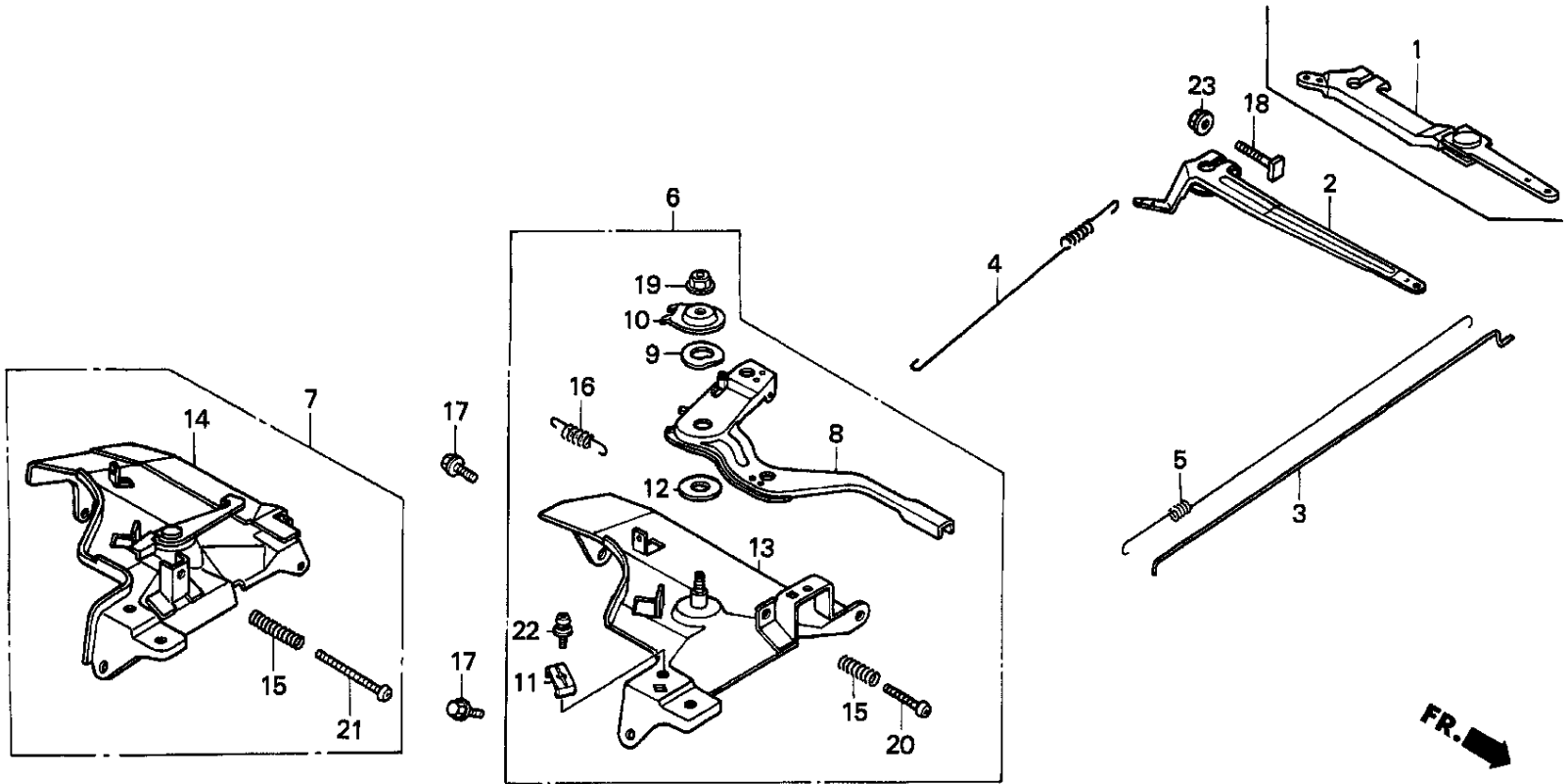
| Ref # | Part Number | Qty | Description |
|-------|---|-----|---|
| 19 | 16954-ZE1-812 | 1 | PLATE, LEVER SETTING Use from Engine SN BE48B B. (Honda Code 5148135). |
| | GX390K1 QNE ENGINE, JPN, VIN# GCAR-200001 | | Page 7 of 40 |
| 20 | 16956-ZE1-810R | 1 | SPRING, VALVE LEVER (Honda Code 1807809). |
| 21 | 16957-ZE1-812 | 1 | GASKET, VALVE (Honda Code 3440708). |
| 22 | 16967-ZE0-811 | 1 | CUP, FUEL STRAINER (Honda Code 1441583). |
| 23 | 93500-03006-OH | 2 | SCREW, PAN (3X6) Use from Engine SN BE48B B. (Honda Code 0561654). |
| 23 | 93500-03006-OH | 2 | SCREW, PAN (3X6) Use from Engine SN BE85B B. (Honda Code 0561654). |
| 23 | 93500-03008-OG | 2 | SCREW, PAN (3X8) Use up to Engine SN BE48B A. (Honda Code 0420505). |
| 24 | 94305-20122 | 1 | PIN, SPRING (2X12) (Honda Code 1441591). |
| 25 | 99101-ZH8-0880 | 1 | JET, MAIN (#88) (Optional). Use from Engine SN BE85B B. (Honda Code 5945555). |
| 25 | 99101-ZH8-0900 | 1 | JET, MAIN (#90) (Optional). Use from Engine SN BE85B B. (Honda Code 5947155). |
| 25 | 99101-ZH8-0920 | 1 | JET, MAIN (#92) Use from Engine SN BE85B B. (Honda Code 5947163). |
| 25 | 99101-ZH8-1000 | 1 | JET, MAIN (#100) (Optional). Use up to Engine SN BE48B B. (Honda Code 6059844). |
| 25 | 99101-ZH8-1020 | 1 | JET, MAIN (#102) (Optional). Use up to Engine SN BE48B B. (Honda Code 6059851). |
| 25 | 99101-ZH8-1050 | 1 | JET, MAIN (#105) Use up to Engine SN BE48B B. (Honda Code 6123335). |
| 25 | 99101-ZH8-1050 | 1 | JET, MAIN (#105) Use up to Engine SN BE85B A. (Honda Code 6123335). |
| 26 | 99204-ZA0-0400 | 1 | JET SET, PILOT (#40) Use from Engine SN BE48B B to BE85B A. (Honda Code 2097400). |
| 26 | 99204-ZA0-0450 | 1 | JET SET, PILOT (#45) Use from Engine SN BE85B B. (Honda Code 2060465). |
| 26 | 99204-ZE2-0400 | 1 | JET SET, PILOT (#40) Use up to Engine SN BE48B A. (Honda Code 3683141). |
| 27 | 16172-ZE3-W10 | 1 | COLLAR, SET Use from Engine SN BE85B B. (Honda Code 3738358). |

Tools Renewed Inc.

800-247-3639

Fax

860-665-9821



| Ref # | Part Number | Qty | Description |
|-------|----------------|-----|--|
| 2 | 16551-ZE3-000 | 1 | ARM, GOVERNOR (Honda Code 2107928). |
| 3 | 16555-ZE3-000 | 1 | ROD, GOVERNOR (Honda Code 2107936). |
| 4 | 16561-ZE3-000 | 1 | SPRING, GOVERNOR (Honda Code 2107944). |
| 5 | 16562-ZE3-000 | 1 | SPRING, THROTTLE RETURN (Honda Code 2107951). |
| 6 | 16570-ZE3-W20 | 1 | CONTROL ASSY. (REMOTE) (Honda Code 3713211). |
| 8 | 16571-ZE3-W00 | 1 | LEVER, CONTROL (Honda Code 3713229). |
| 9 | 16574-ZE1-000 | 1 | SPRING, LEVER (Honda Code 1427384). |
| 10 | 16575-ZE2-W00 | 1 | WASHER, CONTROL LEVER (Honda Code 3678679). |
| 11 | 16576-891-000 | 1 | HOLDER, CABLE (Honda Code 0800466). |
| 12 | 16578-ZE1-000 | 1 | SPACER, CONTROL LEVER (Honda Code 1427400). |
| 13 | 16581-ZE3-W00 | 1 | BASE, CONTROL (Honda Code 3713237). |
| 15 | 16584-883-300 | 1 | SPRING, CONTROL ADJUSTING (Honda Code 0636431). |
| 16 | 16592-883-310 | 1 | SPRING, CABLE RETURN (Honda Code 0743203). |
| 17 | 90013-883-000 | 2 | BOLT, FLANGE (6X12) (CT200) (Honda Code 0636845). |
| 18 | 90015-ZE5-010 | 1 | BOLT, GOVERNOR ARM (Honda Code 2418671). |
| 19 | 90114-SA0-000 | 1 | NUT, SELF-LOCK (6MM) (Honda Code 1410182). |
| 20 | 93500-05032-0A | 1 | SCREW, PAN (5X32) (Honda Code 0219923). |
| 22 | 93500-05016-0A | 1 | SCREW, PAN (5X16) Use from Engine SN 2066750. (Honda Code 0145557). |
| 22 | 93893-05016-00 | 1 | SCREW-WASHER (5X16) Use up to Engine SN 2066749. (Honda Code 0821512). |
| 23 | 94050-06000 | 1 | NUT, FLANGE (6MM) (Honda Code 0471623). |

GX360T ONE ENGINE, JPN, VIN# GC4AA2006001

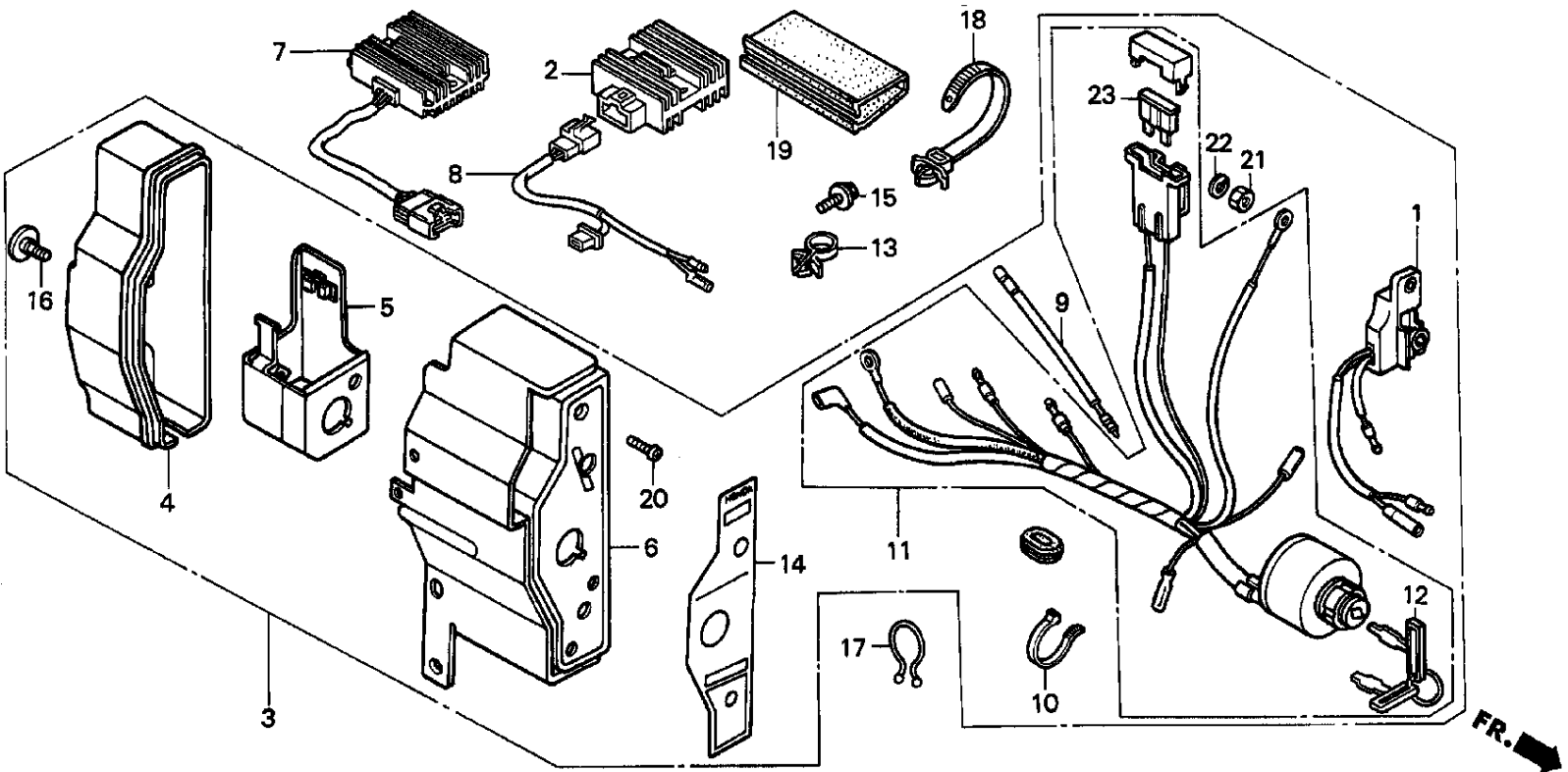
Page 9 of 40

Tools Renewed Inc.

800-247-3639

Fax

860-665-9821



| Ref # | Part Number | Qty | Description |
|-------|--|-----|--|
| 1 | 15520-ZE2-822 | 1 | ALERT UNIT, OIL (SEL) Use up to Engine SN 2042138. (Honda Code 2095222). |
| | GX390K1 QNE ENGINE, JPN, VIN# GCAA-2000001 | | Page 11 of 40 |
| 2 | 31600-ZE2-861 | 1 | RECTIFIER ASSY., REGULATOR (Honda Code 2534915). |
| 3 | 31610-ZE3-W31ZB | 1 | BOX ASSY., CONTROL (10A) *R8* (EXTERNAL-ALERT) (BRIGHT RED) Use up to Engine SN 2042138. (Honda Code 4070264). |
| 3 | 31610-ZE3-W32ZB | 1 | BOX ASSY., CONTROL (10A) *R8* (EXTERNAL-ALERT) (BRIGHT RED) Use from Engine SN 2042139 to 2468554. (Honda Code 4291191). |
| 3 | 31610-ZE3-W33ZB | 1 | BOX ASSY., CONTROL (EXTERNAL-ALERT/10A) *R8* (BRIGHT RED) Use from Engine SN 2042139. (Honda Code 5962618). |
| 4 | 31612-ZE2-003 | 1 | CASE, CONTROL (Honda Code 2095875). |
| 5 | 31614-ZE2-003 | 1 | BRACKET, CASE MOUNTING (Honda Code 2095883). |
| 6 | 31615-ZE3-003ZB | 1 | PANEL, CONTROL *R8* (BRIGHT RED) (Honda Code 4070280). |
| 8 | 32110-ZE2-860 | 1 | SUB-WIRE HARNESS ASSY. (Honda Code 2534931). |
| 10 | 32902-892-003 | 1 | BAND (Honda Code 0947457). |
| 11 | 35100-ZE2-862 | 1 | SWITCH ASSY., COMBINATION (Honda Code 3713427). |
| 12 | 35111-880-003 | 2 | KEY (Honda Code 0485706). |
| 13 | 36103-ZE1-000 | 1 | HOLDER, STOP SWITCH WIRE (Honda Code 1429141). |
| 14 | 87529-ZE2-860 | 1 | MARK, CONTROL BOX (EXTERNAL-REGULATOR) Use from Engine SN 2042139. (Honda Code 4212486). |
| 14 | 87529-ZE2-870 | 1 | MARK, CONTROL BOX (EXTERNAL-ALERT-REG) Use up to Engine SN 2042138. (Honda Code 2537074). |
| 15 | 90013-883-000 | 1 | BOLT, FLANGE (6X12) (CT200) (Honda Code 0636845). |
| 16 | 90380-MA6-010 | 1 | SCREW, SPECIAL (6X12) (Honda Code 1490648). |
| 17 | 90630-751-000 | 1 | CLIP, PURSE LOCK (Honda Code 2159598). |
| 18 | 90672-SA0-003 | 1 | STRAP, CABLE (118MM) *NH1L* (BLACK) (Honda Code 1170653). |
| 19 | 91406-ZE2-003 | 1 | TUBE, FASTENER (30) (Honda Code 2159762). |
| 20 | 93500-04012-0H | 1 | SCREW, PAN (4X12) (Honda Code 0285643). |
| 21 | 94001-04390-0S | 2 | NUT, HEX. (4MM) (NOT AVAILABLE) Use from Engine SN 2468555. (Honda Code 0499707). |
| 22 | 94111-04800 | 1 | WASHER, SPRING (4MM) (Honda Code 0346114). |
| 23 | 98200-31500 | 1 | FUSE, BLADE (15A) (Honda Code 1644244). |

Tools Renewed Inc.

800-247-3639

Fax

860-665-9821

| Ref # | Part Number | Qty | Description |
|-------|---|-----|--|
| 24 | 34150-ZH7-003 | 1 | ALERT UNIT, OIL Use from Engine SN 2468555. (Honda Code 5858444). Page 12 of 40 |
| | GX390K1 QNE ENGINE, JPN, VIN# GCAA-200001 | | |
| 25 | 9401-0180 | 1 | WASHER, PLAIN (4MM) Use from Engine SN 2468555. (Honda Code 0331462). |

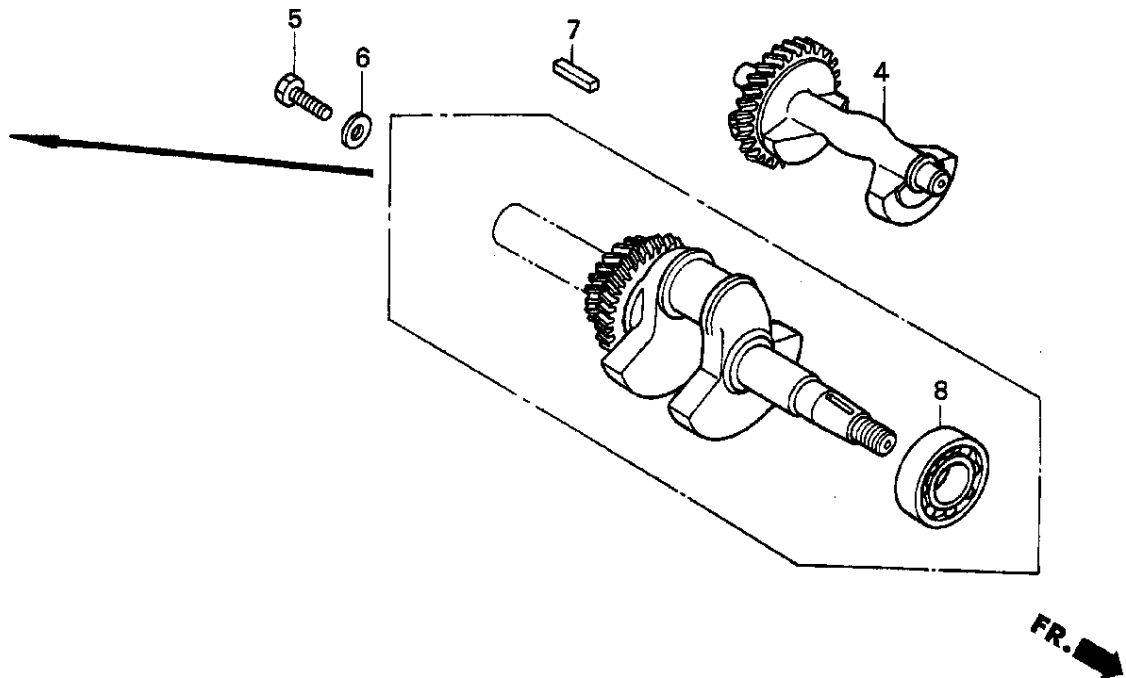
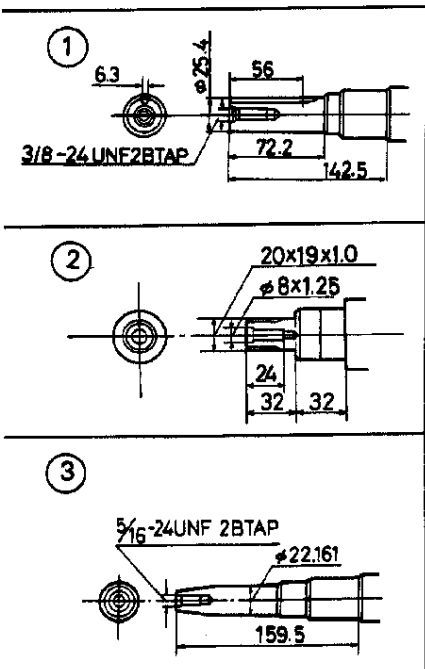
| Ref # | Part Number | Qty | Description |
|-------|--|-----|---|
| 1 | 06165-ZE3-000 | 1 | GOVERNOR KIT (Optional). (Honda Code 3712940). |
| 2 | 11300-ZE3-602 | 1 | COVER ASSY., CRANKCASE (O-TYPE) (Honda Code 3712957). |
| | EXPORT ONE ENGINE, JPN, VIN# GC4A2090001 | | Page 14 of 40 |
| | CRANKCASE COVER (1) | | |
| 3 | 11381-ZE3-800 | 1 | GASKET, CASE COVER (Honda Code 3712965). |
| 4 | 15600-ZG4-003 | 1 | CAP ASSY., OIL FILLER Use from Engine SN 2090081. (Honda Code 4497921). |
| 5 | 15600-735-003 | 1 | CAP ASSY., OIL FILLER (Honda Code 4523106). |
| 6 | 15620-ZG4-910 | 1 | CAP, OIL FILLER Use up to Engine SN 2090080. (Honda Code 3678596). |
| 7 | 15621-896-010 | 1 | GASKET, OIL FILLER CAP Use up to Engine SN 2090080. (Honda Code 1033042). |
| 8 | 15625-ZE1-003 | 1 | GASKET, OIL FILLER CAP Use from Engine SN 2090081. (Honda Code 4497947). |
| 9 | 15625-ZE1-000 | 1 | GASKET, OIL FILLER CAP Use up to Engine SN 2090080. (Honda Code 1427079). |
| 9 | 15625-ZE1-003 | 1 | GASKET, OIL FILLER CAP (Honda Code 4497947). |
| 10 | 16510-ZE3-000 | 1 | GOVERNOR ASSY. (Honda Code 3713187). |
| 11 | 16511-ZE8-000 | 3 | WEIGHT, GOVERNOR (Honda Code 2090090). |
| 12 | 16512-ZE3-000 | 1 | HOLDER, GOVERNOR WEIGHT (Honda Code 3713195). |
| 13 | 16513-ZE2-000 | 3 | PIN, GOVERNOR WEIGHT (Honda Code 2025971). |
| 14 | 16531-ZE2-000 | 1 | SLIDER, GOVERNOR (Honda Code 2025989). |
| 15 | 90473-147-000 | 1 | WASHER (6X16) Use up to Engine SN 2080006. (Honda Code 0465591). |
| 16 | 90602-ZE1-000 | 1 | CLIP, GOVERNOR HOLDER (Honda Code 2456697). |
| 17 | 90701-HC4-000 | 2 | PIN, DOWEL (8X12) (Honda Code 2978443). |
| 18 | 91201-ZE3-004 | 1 | OIL SEAL (35X52X8) (Honda Code 2108595). |
| 19 | 94101-06800 | 1 | WASHER, PLAIN (6MM) (Honda Code 0345900). |
| 20 | 95700-08040-00 | 7 | BOLT, FLANGE (8X40) (Honda Code 0671222). |
| 20 | 95701-08040-00 | 7 | BOLT, FLANGE (8X40) (Honda Code 2298404). |
| 21 | 96100-62020-00 | 1 | BEARING, RADIAL BALL (6202) (Honda Code 0708941). |
| 22 | 96100-62070-00 | 1 | BEARING, RADIAL BALL (6207) (Honda Code 0997320). |

Tools Renewed Inc.

800-247-3639

Fax

860-665-9821



Tools Renewed Inc.

800-247-3639

Fax

860-665-9821

| Ref # | Part Number | Qty | Description |
|-------|---------------|-----|--|
| 1 | 13310-ZF6-W10 | 1 | CRANKSHAFT (Q-TYPE) (Honda Code 3713054). |
| 4 | 13351-ZF3-010 | 1 | WEIGHT BALANCER (Honda Code 3713070). |
| 7 | 90745-ZF3-000 | 1 | KEY (6.3X6.3X43) (Honda Code 2027167). |
| 8 | 91001-ZF6-003 | 1 | BEARING, RADIAL BALL (6207S) (Honda Code 3505187). |

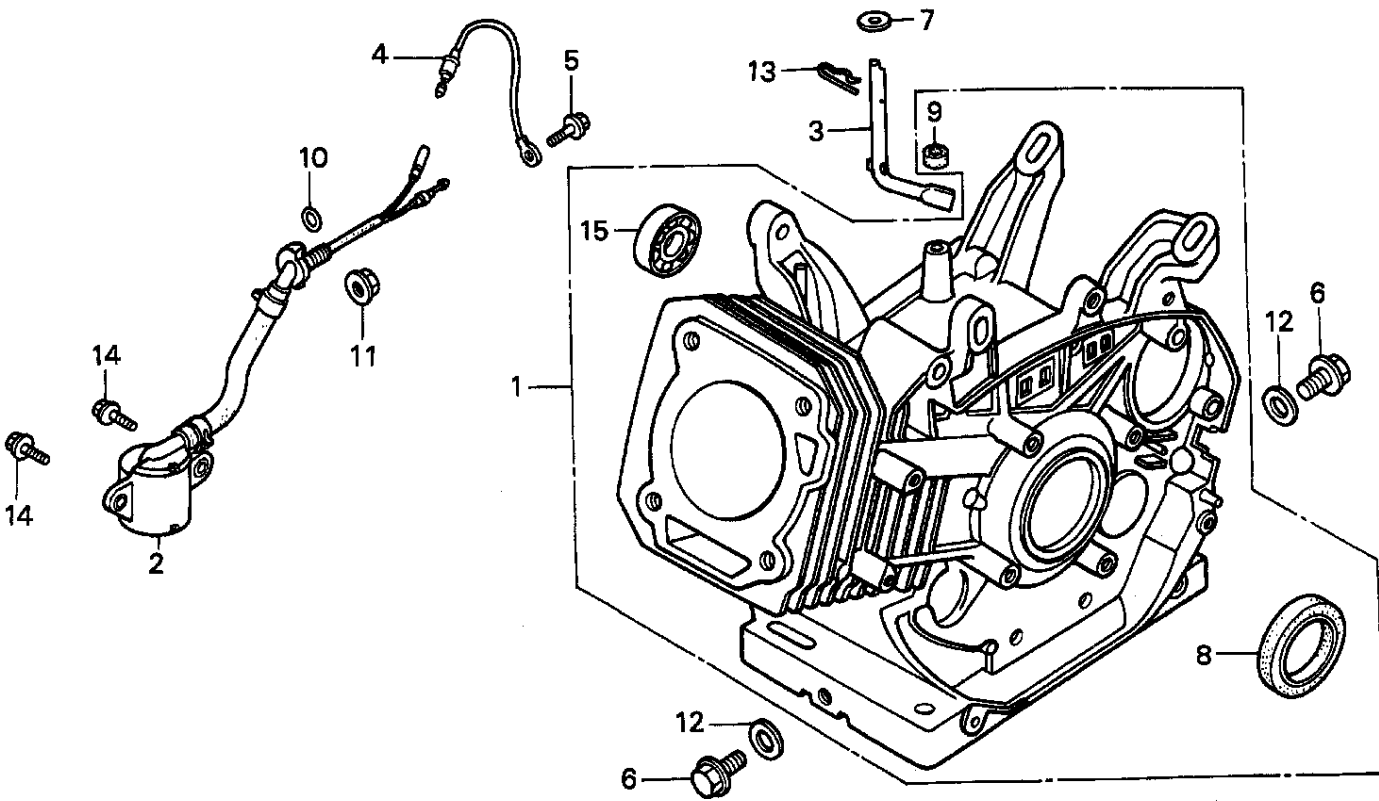
3X36KT ONE ENGINE, JPN, VIN# GC7A-2000001
CRANKSHAFT
Page 18 of 40

Tools Renewed Inc.

800-247-3639

Fax

860-665-9821



FR. →

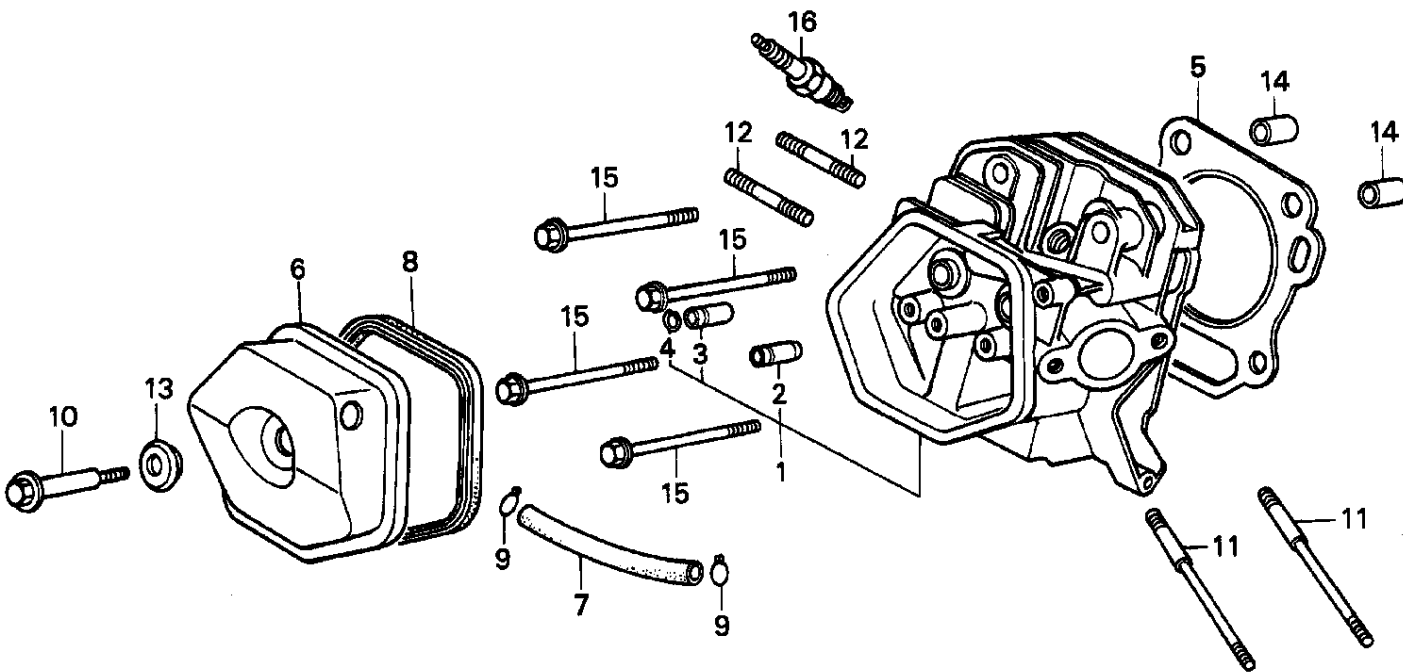
| Ref # | Part Number | Qty | Description |
|-------|--|-----|--|
| 1 | 12000-ZF6-L04 | 1 | CYLINDER ASSY. Use up to Engine SN 2087547. (Honda Code 4477311). Page 18 of 40 |
| | GX390K1 QNE ENGINE, JPN, VIN# GCAA-2000001 | | |
| 1 | 12000-ZF6-L05 | 1 | CYLINDER BARREL CYLINDER ASSY. (L04) Use from Engine SN 2087548. (Honda Code 6325195). |
| 2 | 15510-ZE2-023 | 1 | SWITCH ASSY., OIL LEVEL Use up to Engine SN 2334667. (Honda Code 4193736). |
| 2 | 15510-ZE2-033 | 1 | SWITCH ASSY., OIL LEVEL Use up to Engine SN 2334667. (Honda Code 5361605). |
| 2 | 15510-ZE2-033 | 1 | SWITCH ASSY., OIL LEVEL Use from Engine SN 2334668 to 2456575. (Honda Code 5361605). |
| 2 | 15510-ZE2-043 | 1 | SWITCH ASSY., OIL LEVEL Use up to Engine SN 2334667. (Honda Code 5792361). |
| 2 | 15510-ZE2-043 | 1 | SWITCH ASSY., OIL LEVEL Use from Engine SN 2334668. (Honda Code 5792361). |
| 3 | 16541-ZE3-000 | 1 | SHAFT, GOVERNOR ARM (Honda Code 2107910). |
| 3 | 16541-ZE3-010 | 1 | SHAFT, GOVERNOR ARM (Honda Code 4717393). |
| 4 | 32197-ZE2-003 | 1 | SUB-HARNESS Use from Engine SN 2042139 to 2334667. (Honda Code 4220406). |
| 5 | 90013-883-000 | 1 | BOLT, FLANGE (6X12) (CT200) Use from Engine SN 2042139 to 2335517. (Honda Code 0636845). |
| 6 | 90131-896-650 | 2 | BOLT, DRAIN PLUG (Honda Code 1986231). |
| 7 | 90446-KE1-000 | 1 | WASHER (8.2X17X0.8) (Honda Code 2027134). |
| 8 | 91201-ZE3-004 | 1 | OIL SEAL (35X52X8) (Honda Code 2108595). |
| 9 | 91201-ZE9-003 | 1 | OIL SEAL (8X14X5) (Honda Code 2461713). |
| 9 | 91203-952-771 | 1 | OIL SEAL (8X14X5) (Honda Code 0744326). |
| 10 | 91353-671-003 | 1 | O-RING (13.5X1.5) (ARAI) (Honda Code 0949883). |
| 11 | 94050-10000 | 1 | NUT, FLANGE (10MM) (Honda Code 0483867). |
| 12 | 94109-12000 | 2 | WASHER, DRAIN PLUG (12MM) (Honda Code 0171868). |
| 13 | 94251-08000 | 1 | PIN, LOCK (8MM) (Honda Code 0115527). |
| 14 | 95700-06012-00 | 2 | BOLT, FLANGE (6X12) (Honda Code 0487025). |
| 14 | 95701-06012-00 | 2 | BOLT, FLANGE (6X12) (Honda Code 2105799). |
| 15 | 96100-62020-00 | 1 | BEARING, RADIAL BALL (6202) (Honda Code 0708941). |

Tools Renewed Inc.

800-247-3639

Fax

860-665-9821



FR. 

| Ref # | Part Number | Qty | Description |
|-------|--|-----|--|
| 1 | 12200-ZF6-W00 | 1 | CYLINDER HEAD (Honda Code 4569513). |
| 2 | 12204-ZE2-306 | 1 | GUIDE, VALVE (OS) (Optional). (Honda Code 4179164). |
| | GASCKET ONE ENGINE, JPN, VIN# GCR4-2000051 Page 20 of 40 | | |
| 2 | 12204-ZE2-315 | 1 | GUIDE, VALVE (OS) (Optional). Use up to Engine SN 2037229. (Honda Code 2089555). |
| 3 | 12205-ZE2-305 | 1 | GUIDE, EX. VALVE (OS) (Optional). (Honda Code 2089563). |
| 4 | 12216-ZE2-300 | 1 | CLIP, VALVE GUIDE (Honda Code 2089597). |
| 5 | 12251-ZF6-W00 | 1 | GASKET, CYLINDER HEAD (Honda Code 3713005). |
| 6 | 04108-ZE2-000 | 1 | COVER KIT, HEAD Use up to Engine SN 2057295. (Honda Code 4342820). |
| 6 | 12310-ZE2-010 | 1 | COVER, HEAD Use up to Engine SN 2057295. (Honda Code 2157352). |
| 6 | 12310-ZE2-020 | 1 | COVER, HEAD Use from Engine SN 2057296. (Honda Code 4300885). |
| 7 | 95005-11001-30M | 1 | BULK HOSE, VACUUM (11X1000) (11X105) (Honda Code 4537312). |
| 8 | 12391-ZE2-010 | 1 | GASKET, CYLINDER HEAD COVER Use up to Engine SN 2057295. (Honda Code 2395499). |
| 8 | 12391-ZE2-020 | 1 | GASKET, CYLINDER HEAD COVER (Honda Code 4300893). |
| 10 | 90014-ZE2-000 | 1 | BOLT, HEAD COVER (Honda Code 2027035). |
| 11 | 90042-ZE8-000 | 2 | BOLT, STUD (8X131.5) (Honda Code 2106656). |
| 12 | 90047-ZE2-000 | 2 | BOLT, STUD (8X47) Use up to Engine SN 2638033. (Honda Code 2027050). |
| 12 | 92900-08032-0E | 2 | BOLT 2, STUD (8X32) Use from Engine SN 2638034. (Honda Code 2663433). |
| 13 | 90441-ZE2-010 | 1 | WASHER, HEAD COVER (Honda Code 2293918). |
| 14 | 94301-12200 | 2 | PIN A, DOWEL (12X20) (Honda Code 0165324). |
| 15 | 95701-10080-00 | 4 | BOLT, FLANGE (10X80) (Honda Code 2545341). |
| 15 | 95725-10080-00 | 4 | BOLT, FLANGE (10X80) (Honda Code 2027316). |
| 16 | 98079-55846 | 1 | SPARK PLUG (BPR5ES) (NGK) (Optional). (Honda Code 1672443). |
| 16 | 98079-55855 | 1 | SPARK PLUG (W16EPR-U) (DENSO) (Optional). (Honda Code 1672450). |
| 16 | 98079-56846 | 1 | SPARK PLUG (BPR6ES) (NGK) (Honda Code 1441112). |
| 16 | 98079-56855 | 1 | SPARK PLUG (W20EPR-U) (DENSO) (Honda Code 1441120). |

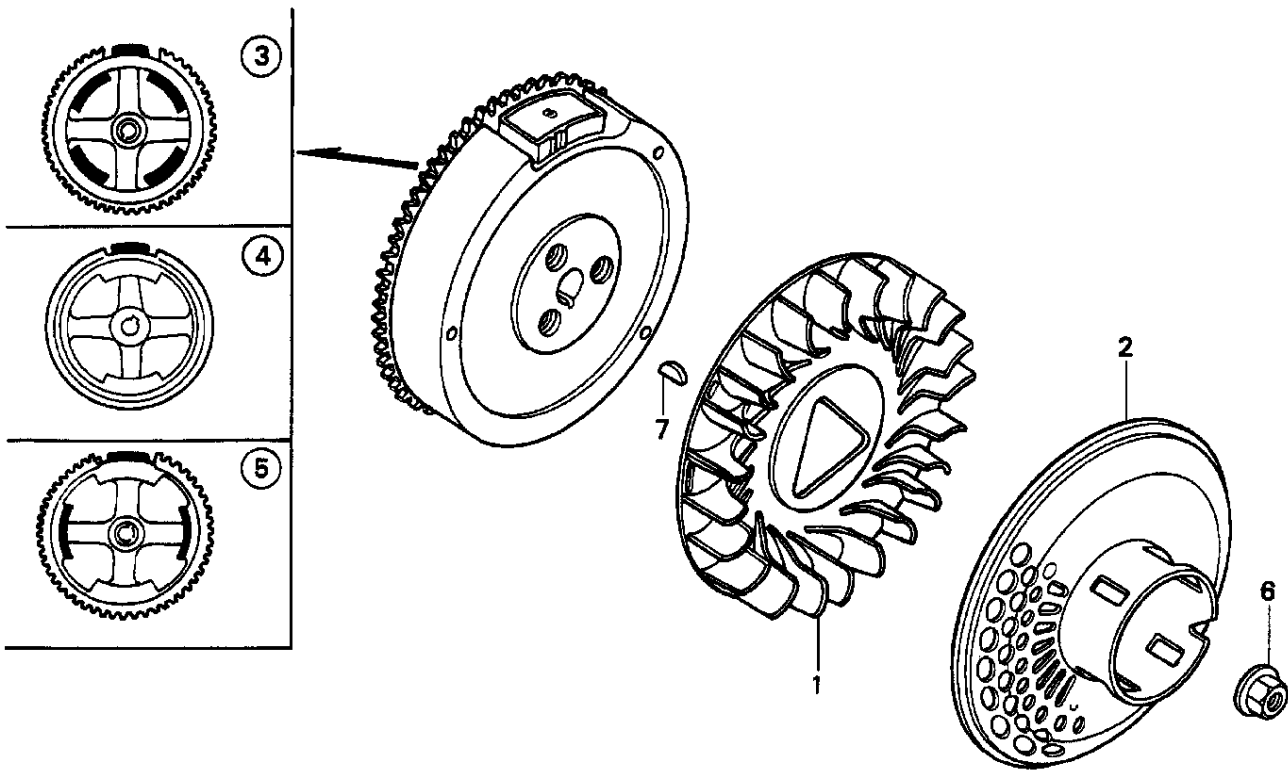
| Ref # | Part Number | Qty | Description |
|-------|--|-----|---|
| 2 | 15520-ZE2-822 | 1 | ALERT UNIT, OIL (SEL) Use up to Engine SN 2042138 (Honda Code 2095222) |
| | GX390K1 QNE ENGINE, JPN, VIN# GCAA-2000001 | | Page 22 of 40 |
| 3 | 16731-ZE2-503 | 1 | CLIP, TUBE (Honda Code 2026094). |
| 4 | 19610-ZE3-010ZA | 1 | COVER, FAN *R8* (BRIGHT RED) (Honda Code 4230637). |
| 5 | 19631-ZE3-W00 | 1 | SHROUD (Honda Code 3713294). |
| 9 | 81329-567-020 | 1 | GROMMET, DRAIN HOLE (Honda Code 0677773). |
| 10 | 90013-883-000 | 6 | BOLT, FLANGE (6X12) (CT200) (Honda Code 0636845). |

Tools Renewed Inc.

800-247-3639

Fax

860-665-9821



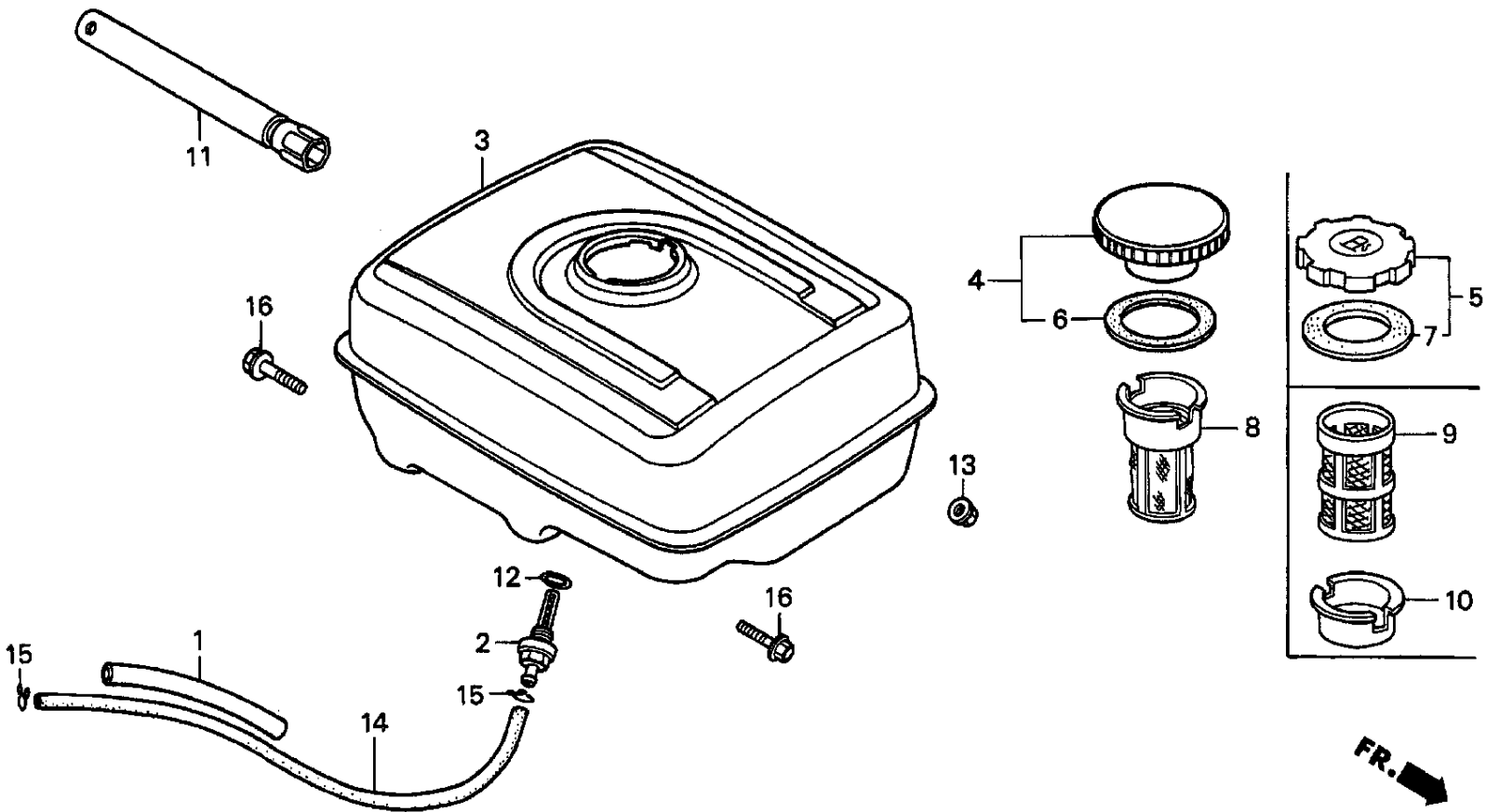
| Ref # | Part Number | Qty | Description |
|-------|--|-----|---|
| 1 | 19511-ZE3-000 | 1 | FAN, COOLING (Honda Code 2108108). |
| 2 | 28450-ZE3-W11 GX390T ONE ENGINE, JPN, VIN# GCAA-2000001 FLYWHEEL | 1 | PULLEY, STARTER (SCREEN GRID) (Honda Code 3713336). Page 24 of 40 |
| 3 | 31100-ZE3-W01 | 1 | FLYWHEEL (4 POLE) (Honda Code 5355805). |
| 6 | 90201-ZE3-V00 | 1 | NUT, SPECIAL (16MM) (1) Use from Engine SN 2263435. (Honda Code 5032727). |
| 6 | 90201-ZE3-790 | 1 | NUT, SPECIAL (16MM) Use up to Engine SN 2263434. (Honda Code 2326908). |
| 7 | 90741-ZE2-000 | 1 | KEY, SPECIAL WOODRUFF (25X18) (Honda Code 2027159). |

Tools Renewed Inc.

800-247-3639

Fax

860-665-9821



| Ref # | Part Number | Qty | Description |
|-------|---|-----|---|
| 1 | 16854-ZE1-000 | 1 | RUBBER, SUPPORTER (Honda Code 1436674). |
| 1 | 16854-ZH8-000 | 1 | RUBBER, SUPPORTER (107MM) (Honda Code 3683646). |
| | GX390KI ONE ENGINE, JPN, VIN# GCAR2000001 Page 26 of 40 | | |
| 2 | 16955-ZE1-000 | 1 | JOINT, FUEL TANK (Honda Code 1427459). |
| 3 | 17510-ZE3-010ZA | 1 | TANK, FUEL *NH31* (MCKINLEY WHITE) (Honda Code 3713278). |
| 4 | 17620-ZE2-W00 | 1 | CAP, FUEL FILLER Use up to Engine SN 2121083. (Honda Code 3682028). |
| 5 | 17620-ZH7-023 | 1 | CAP, FUEL FILLER Use from Engine SN 2121084 to 2336191. (Honda Code 5344817). |
| 5 | 17620-ZH7-023 | 1 | CAP, FUEL FILLER Use from Engine SN 2336192. (Honda Code 5344817). |
| 6 | 17631-329-003 | 1 | GASKET, FUEL FILLER CAP Use up to Engine SN 2121083. (Honda Code 2820587). |
| 7 | 17631-ZH7-003 | 1 | GASKET, FUEL FILLER CAP Use from Engine SN 2121084. (Honda Code 4608725). |
| 8 | 17672-ZE2-W01 | 1 | FILTER, FUEL Use from Engine SN 2081121. (Honda Code 4270864). |
| 9 | 17672-880-000 | 1 | FILTER, FUEL Use up to Engine SN 2081120. (Honda Code 0474759). |
| 10 | 17673-893-000 | 1 | HOLDER, FUEL FILTER Use up to Engine SN 2081120. (Honda Code 0788109). |
| 11 | 89218-ZE1-000 | 1 | WRENCH, SPARK PLUG (Honda Code 1431048). |
| 12 | 91353-671-003 | 1 | O-RING (13.5X1.5) (ARAI) (Honda Code 0949883). |
| 13 | 94050-08000 | 2 | NUT, FLANGE (8MM) (Honda Code 0481143). |
| 14 | 95001-45003-60M | 1 | BULK HOSE, FUEL (4.5X3000) (4.5X235) (Honda Code 5137104). |
| 15 | 95002-02080 | 2 | CLIP, TUBE (B8) (Honda Code 0250647). |
| 16 | 95701-08025-00 | 2 | BOLT, FLANGE (8X25) (Honda Code 2545325). |

**No Artwork
Available**

| Ref # | Part Number | Qty | Description |
|-------|---------------|-----|--|
| | 06111-ZF6-406 | 1 | GASKET KIT (Honda Code 5220884). |
| 1 | 11381-ZF3-800 | 1 | GASKET, CASE COVER (Honda Code 3712965). |
| 2 | 12391-ZE2-010 | 1 | GASKET, CYLINDER HEAD (Honda Code 3713005). |
| 3 | 12391-ZE2-010 | 1 | GASKET, CYLINDER HEAD COVER Use up to Engine SN 2057295. (Honda Code 2395499). |
| 3 | 12391-ZE2-020 | 1 | GASKET, CYLINDER HEAD COVER (Honda Code 4300893). |
| 4 | 16221-ZF6-800 | 1 | GASKET, CARBURETOR (Honda Code 3713161). |
| 5 | 16223-ZE3-W00 | 1 | GASKET, INSULATOR (Honda Code 3713179). |
| 6 | 18333-ZE3-800 | 1 | GASKET, EX. PIPE Use up to Engine SN 2275744. (Honda Code 3520194). |
| 6 | 18333-ZF6-W01 | 1 | GASKET, EX. PIPE Use from Engine SN 2638034. (Honda Code 6145361). |
| 6 | 18333-ZK6-Y00 | 1 | GASKET, EX. PIPE (WACKER) Use up to Engine SN 2275744. (Honda Code 5164199). |
| 6 | 18333-ZK6-Y00 | 1 | GASKET, EX. PIPE (WACKER) Use from Engine SN 2275745 to 2638033. (Honda Code 5164199). |

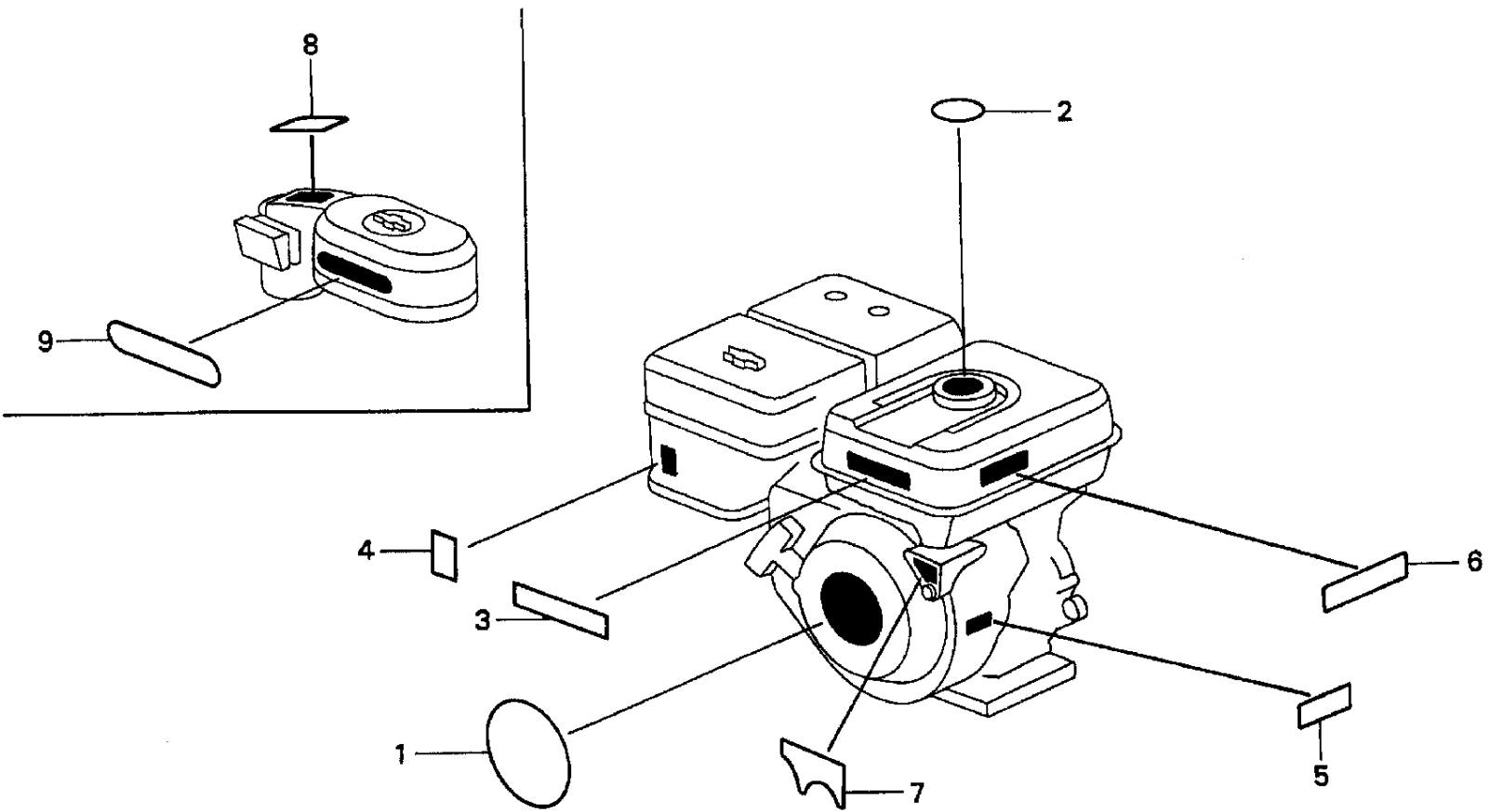
| Ref # | Part Number | Qty | Description |
|-------|--|-----|---|
| 1 | 30500-ZE2-023 | 1 | COIL ASSY., IGNITION Use up to Engine SN 2108413. (Honda Code 4545927). |
| | GX390K1 QNE ENGINE, JPN, VIN# GCAA-2000001 Page 30 of 40 | | |
| 1 | 30500-ZE2-001 | 1 | IGNITION COIL Use from Engine SN 2108413. (Honda Code 5345376). |
| 2 | 30700-ZE1-013 | 1 | CAP ASSY., NOISE SUPPRESSOR (Honda Code 3526837). |
| 4 | 31511-ZE3-000 | 1 | CLAMP, WIRE (Honda Code 2108363). |
| 5 | 31512-ZE2-000 | 1 | GROMMET, WIRE (Honda Code 2026557). |
| 9 | 31630-ZE2-861 | 1 | COIL ASSY., CHARGE (10A) (Honda Code 2534907). |
| 10 | 36101-ZE2-701 | 1 | WIRE, STOP SWITCH (430MM) (Honda Code 3713435). |
| 11 | 90012-888-000 | 4 | BOLT, FLANGE (6X40) (Honda Code 0671529). |
| 12 | 90013-883-000 | 1 | BOLT, FLANGE (6X12) (CT200) (Honda Code 0636845). |
| 14 | 90015-883-000 | 2 | BOLT, FLANGE (6X28) (Honda Code 0636852). |

Tools Renewed Inc.

800-247-3639

Fax

860-665-9821



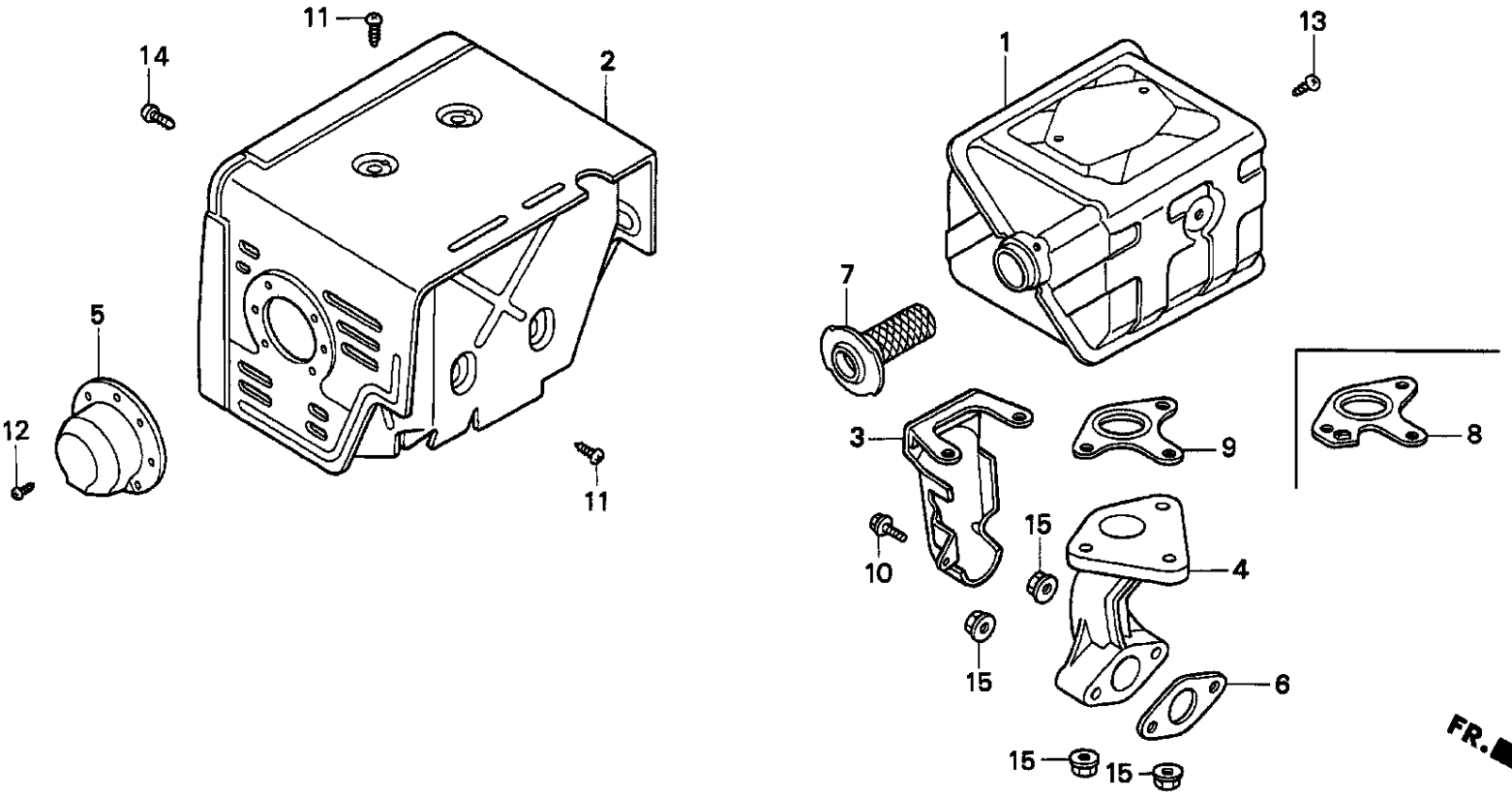
| Ref # | Part Number | Qty | Description |
|-------|--|-----|---|
| 1 | 87521-ZF6-W01 | 1 | EMBLEM (Honda Code 4310835). |
| 2 | 87522-ZF1-810 | 1 | MARK, CAUTION (EXTERNAL) Use up to Engine SN 2121083. (Honda Code 1431014). |
| | GX390KT ONE ENGINE, JPN, VIN# GOAA-2000001 Page 32 of 40 | | |
| | LABELS | | |
| 3 | 87522-ZH9-000 | 1 | LABEL, CAUTION (Honda Code 3684206). |
| 4 | 87528-ZE2-810 | 1 | MARK, CHOKE (EXTERNAL) (Honda Code 2026979). |
| 5 | 87530-ZF6-W10 | 1 | LABEL, SPECIFICATION Use up to Engine SN 2066080. (Honda Code 3713468). |
| 6 | 87532-ZB4-G60 | 1 | MARK, OIL ALERT (GERMAN) Use from Engine SN 2069381. (Honda Code 4425443). |
| 6 | 87532-ZB4-H50 | 1 | MARK, OIL ALERT (FRENCH) Use from Engine SN 2069381. (Honda Code 4425450). |
| 6 | 87532-ZH8-810 | 1 | MARK, OIL ALERT (E) Use from Engine SN 2042139. (Honda Code 4193355). |

Tools Renewed Inc.

800-247-3639

Fax

860-665-9821



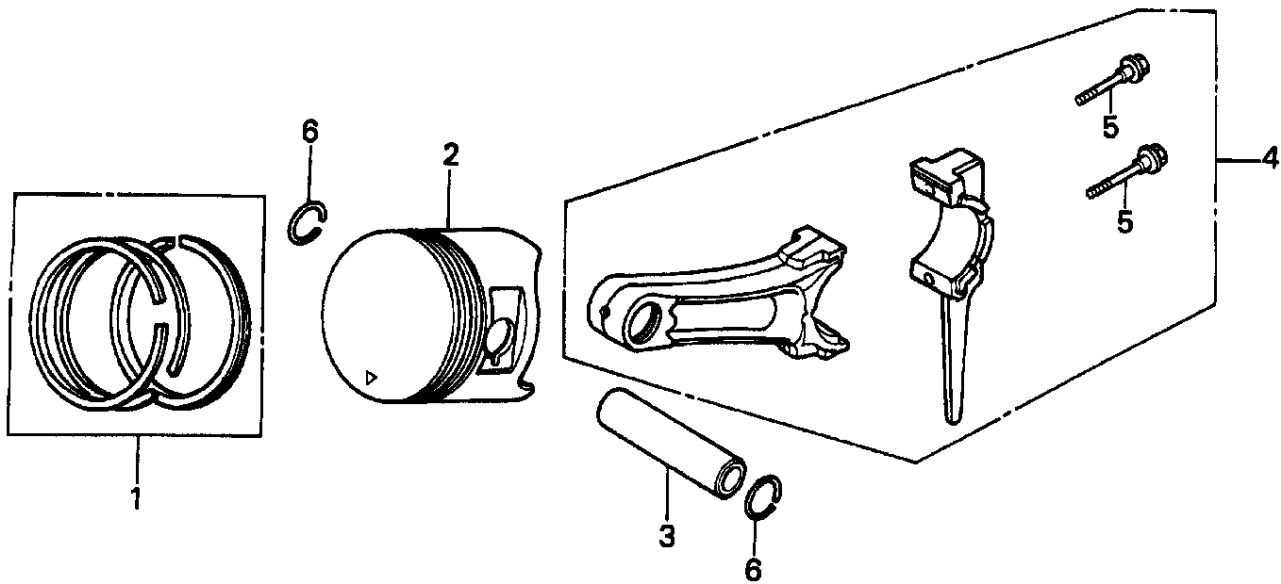
| Ref # | Part Number | Qty | Description |
|-------|---|-----|--|
| 1 | 18310-ZE2-W60 | 1 | MUFFLER (100DB) (SILENT) Use up to Engine SN 2638033. (Honda Code 3678752). |
| | GX390K1 QNE ENGINE, JPN, VIN# GCAA-200001 | | Page 34 of 40 |
| 1 | 18310-ZE2-W61 | 1 | MUFFLER (100DB) (Honda Code 6145353). |
| 2 | 18320-ZE2-W61 | 1 | PROTECTOR, MUFFLER (Honda Code 4684098). |
| 3 | 18323-ZE3-W40 | 1 | PROTECTOR, EX. PIPE (Honda Code 3713286). |
| 4 | 18330-ZE2-W00 | 1 | PIPE, EX. (Honda Code 3678794). |
| 5 | 18331-ZE3-810 | 1 | CAP, MUFFLER (Honda Code 2108082). |
| 6 | 18333-ZE3-800 | 1 | GASKET, EX. PIPE Use up to Engine SN 2275744. (Honda Code 3520194). |
| 6 | 18333-ZF6-W01 | 1 | GASKET, EX. PIPE Use from Engine SN 2638034. (Honda Code 6145361). |
| 6 | 18333-ZK6-Y00 | 1 | GASKET, EX. PIPE (WACKER) Use up to Engine SN 2275744. (Honda Code 5164199). |
| 6 | 18333-ZK6-Y00 | 1 | GASKET, EX. PIPE (WACKER) Use from Engine SN 2275745 to 2638033. (Honda Code 5164199). |
| 7 | 18355-ZE2-W00 | 1 | ARRESTER, SPARK (Optional). (Honda Code 3690302). |
| 8 | 18381-ZE2-W10 | 1 | GASKET, MUFFLER (ARRESTER) (Optional). (Honda Code 3678802). |
| 9 | 18381-ZE2-800 | 1 | GASKET, MUFFLER (Honda Code 3678810). |
| 10 | 90013-883-000 | 1 | BOLT, FLANGE (6X12) (CT200) (Honda Code 0636845). |
| 11 | 90050-ZE1-000 | 5 | SCREW, TAPPING (5X8) (Honda Code 1431105). |
| 12 | 90055-ZE1-000 | 3 | SCREW, TAPPING (4X6) (Honda Code 1431121). |
| 13 | 90055-ZE1-000 | 1 | SCREW, TAPPING (4X6) (Optional). (Honda Code 1431121). |
| 14 | 90006-ZE2-000 | 1 | SCREW, TAPPING (6X10) Use from Engine SN 2059347. (Honda Code 4335436). |
| 14 | 93901-360J0 | 1 | SCREW, TAPPING (6X10) Use up to Engine SN 2059346. (Honda Code 3679032). |
| 15 | 94050-08000 | 5 | NUT, FLANGE (8MM) (Honda Code 0481143). |

Tools Renewed Inc.

800-247-3639

Fax

860-665-9821



FR. 

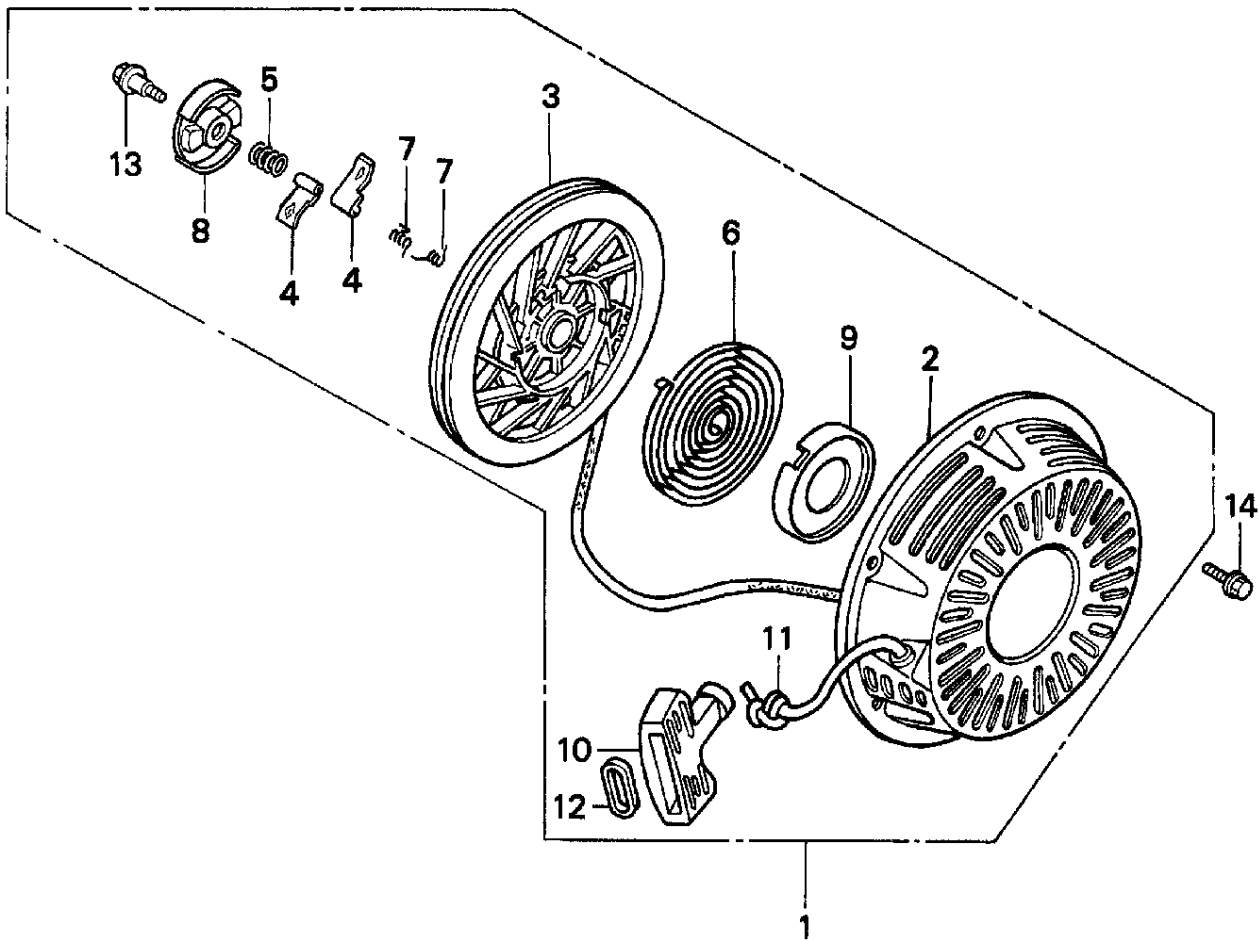
| Ref # | Part Number | Qty | Description |
|-------|---|-----|--|
| 1 | 13010-ZF6-003 | 1 | RING SET, PISTON (STD) (Honda Code 3134343). |
| 1 | 13011-ZF6-003 | 1 | RING SET, PISTON (OS 0.25) (Optional). (Honda Code 3134368). |
| | GX390RT ONE ENGINE, JPN, VIN# GCAA2000001 Page 38 of 40 | | |
| 1 | 13012-ZF6-003 | 1 | RING SET, PISTON (OS 0.50) (Optional). (Honda Code 3134384). |
| 1 | 13012-ZF6-005 | 1 | RING SET, PISTON (OS 0.50) (Optional). (Honda Code 3134392). |
| 1 | 13013-ZF6-003 | 1 | RING SET, PISTON (0.75) (NIPPON) (Optional). (Honda Code 3750759). |
| 2 | 13101-ZF6-W00 | 1 | PISTON (STD) (Honda Code 3713013). |
| 2 | 13102-ZF6-W00 | 1 | PISTON (OS 0.25) (Optional). (Honda Code 3713021). |
| 2 | 13103-ZF6-W00 | 1 | PISTON (OS 0.50) (Optional). (Honda Code 3713039). |
| 2 | 13104-ZF6-W00 | 1 | PISTON (0.75) (Optional). (Honda Code 3755204). |
| 3 | 13111-ZF6-W00 | 1 | PIN, PISTON (Honda Code 3713047). |
| 4 | 13200-ZE3-010 | 1 | ROD ASSY., CONNECTING (STD) (Honda Code 2871200). |
| 4 | 13200-ZE3-020 | 1 | ROD ASSY., CONNECTING (STD) (Honda Code 6858294). |
| 4 | 13200-ZE3-315 | 1 | ROD ASSY., CONNECTING (US 0.25) (Optional). (Honda Code 2871218). |
| 5 | 90001-ZE8-000 | 2 | BOLT, CONNECTING ROD (Honda Code 2160489). |
| 6 | 90601-ZE3-000 | 2 | CLIP, PISTON PIN (20MM) (Honda Code 2108579). |

Tools Renewed Inc.

800-247-3639

Fax

860-665-9821



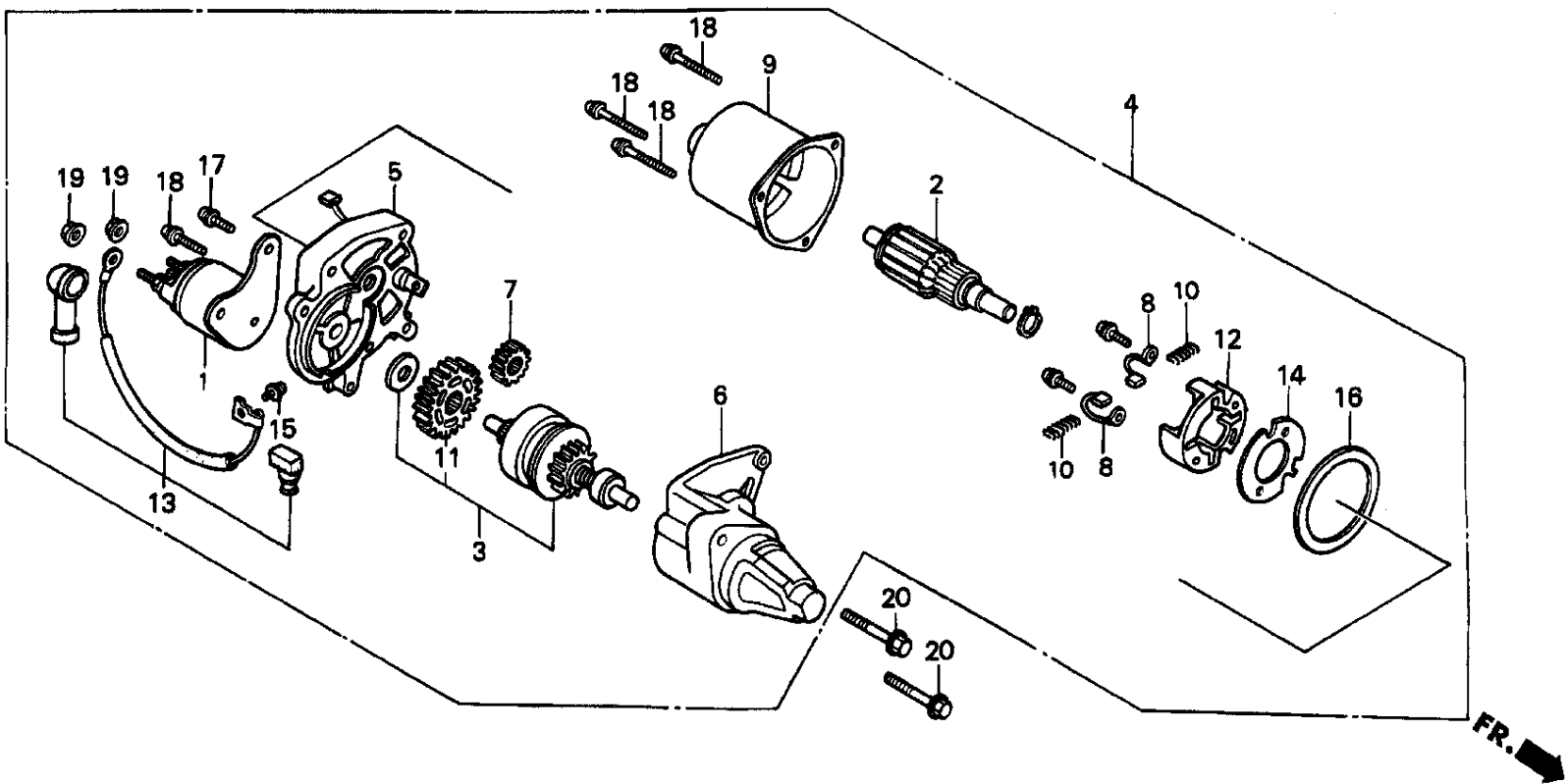
| Ref # | Part Number | Qty | Description |
|-------|--|-----|--|
| 1 | 28400-ZE3-W01ZA | 1 | STARTER ASSY., RECOIL *R8* (BRIGHT RED) (Honda Code 3713302). Page 38 of 40 |
| | GX390K1 QNE ENGINE, JPN, VIN# GCAA-2000001 | | |
| 2 | 28440-ZE3-W01ZA | 1 | CASE, RECOIL STARTER *R8* (BRIGHT RED) (Honda Code 3713310). |
| 3 | 28421-ZE3-W01 | 1 | PULLEY, RECOIL STARTER (Honda Code 3713328). |
| 4 | 28422-ZE2-W01 | 2 | RATCHET, STARTER (Honda Code 3678877). |
| 5 | 28441-ZE2-W01 | 1 | SPRING, FRICTION (Honda Code 3678885). |
| 6 | 28442-ZE2-W01 | 1 | SPRING, STARTER RETURN (Honda Code 3678893). |
| 7 | 28443-ZE2-W01 | 2 | SPRING, RATCHET (Honda Code 3678901). |
| 8 | 28444-ZE2-W01 | 1 | RETAINER, SPRING (Honda Code 3678919). |
| 9 | 28445-ZE2-W01 | 1 | HOLDER, SPRING (Honda Code 3678927). |
| 10 | 28461-ZE2-W02 | 1 | GRIP, STARTER (Honda Code 6133649). |
| 11 | 28462-ZE3-W01 | 1 | ROPE, RECOIL STARTER (N/A: USE P/N 08560-ZG921-11) (Honda Code 3713344). |
| 12 | 28469-ZE2-W01 | 1 | GRIP, REINFORCEMENT Use up to Engine SN 2584635. (Honda Code 3678976). |
| 13 | 90004-ZE2-W01 | 1 | SCREW, CENTER (Honda Code 3679024). |
| 14 | 95701-06008-00 | 3 | BOLT, FLANGE (6X8) (Honda Code 2581353). |

Tools Renewed Inc.

800-247-3639

Fax

860-665-9821



| Ref # | Part Number | Qty | Description |
|-------|----------------|-----|--|
| 1 | 31204-ZA0-003 | 1 | CONTACTOR ASSY. (Honda Code 2108298). |
| 2 | 31206-ZE3-003 | 1 | ARMATURE (Honda Code 2108306). |
| 3 | 31207-ZE3-003 | 1 | CLUTCH, OVERRUNNING (Honda Code 2108314). |
| 4 | 31210-ZE3-013 | 1 | MOTOR UNIT, STARTER (Honda Code 2450740). |
| 5 | 31211-ZE2-003 | 1 | BRACKET, CENTER (Honda Code 2026433). |
| 6 | 31212-ZE3-003 | 1 | BRACKET, FR. (Honda Code 2108330). |
| 7 | 31213-ZE2-003 | 1 | GEAR, DRIVE PINION (Honda Code 2026458). |
| 8 | 31215-ZE2-003 | 2 | BRUSH (Honda Code 2026474). |
| 9 | 31218-ZE3-003 | 1 | YOKE (Honda Code 2108348). |
| 10 | 31219-ZE2-003 | 4 | SPRING, BRUSH RETURN (Honda Code 2026508). |
| 11 | 31222-ZE3-791 | 1 | GEAR, REDUCTION (Honda Code 2418358). |
| 12 | 31231-ZE2-003 | 1 | HOLDER, BRUSH (Honda Code 2026516). |
| 13 | 31232-ZE3-003 | 1 | WIRE, WATER COVER (Honda Code 2108355). |
| 14 | 31233-ZE2-003 | 1 | INSULATOR (Honda Code 2026524). |
| 15 | 90110-ZE2-003 | 1 | SCREW-WASHER (4X6) (Honda Code 2027100). |
| 16 | 91601-ZE2-003 | 1 | GASKET (Honda Code 2027266). |
| 17 | 90007-ZE2-003 | 2 | BOLT-WASHER (5X14) Use from Engine SN 2326512. (Honda Code 5340229). |
| 17 | 93892-05014-08 | 2 | SCREW-WASHER (5X14) Use up to Engine SN 2326511. (Honda Code 0660720). |
| 18 | 93892-05032-08 | 4 | SCREW-WASHER (5X3) (Honda Code 1171891). |
| 19 | 94070-06080 | 2 | NUT-WASHER (6MM) (Honda Code 0660795). |
| 20 | 95701-08035-08 | 2 | BOLT, FLANGE (8X35) (Honda Code 2563260). |