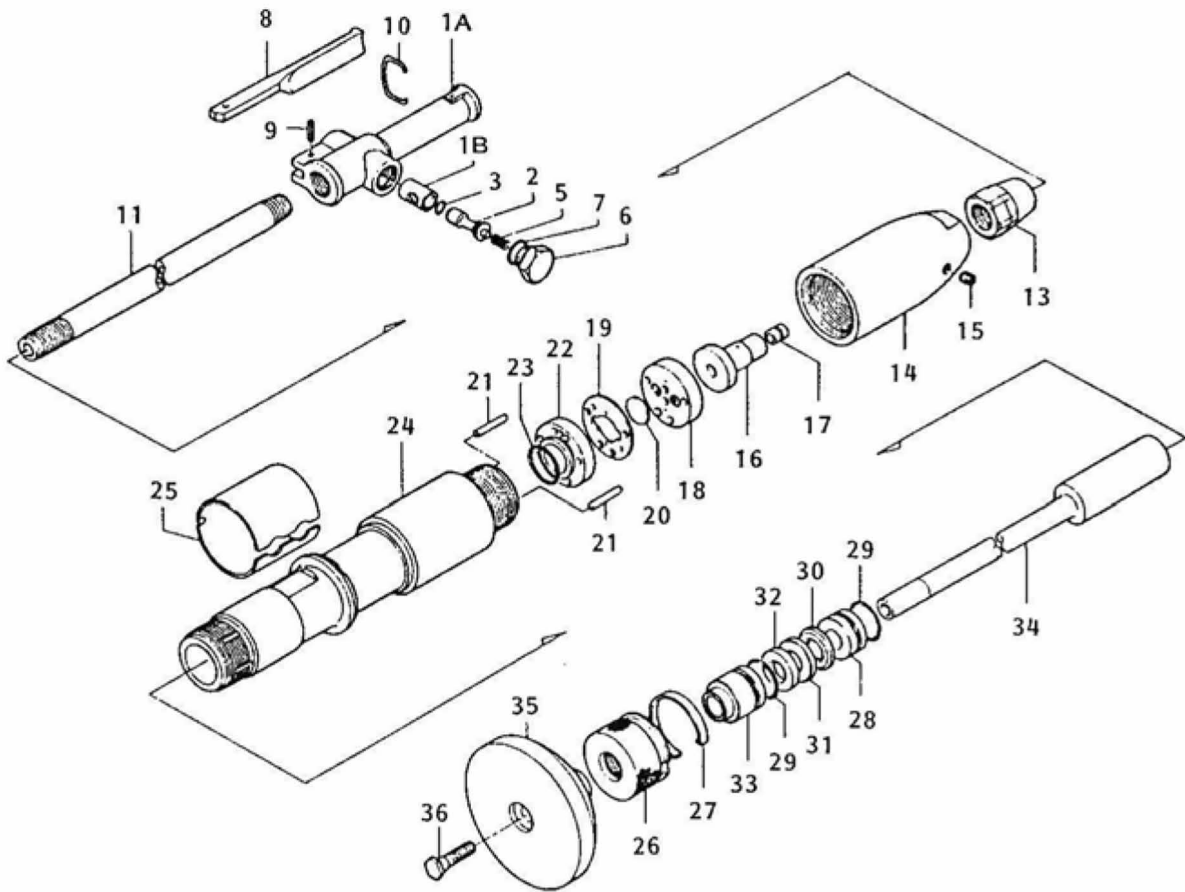


T-6
 TAMPER



Tools Renewed Inc
 Tel: 800-247-3639
 Fax: 860-665-8155
 Email: sales@toolsrenewed.com

Toku

T-6 - TAMPER

SYM #	TAMCO #	DESCRIPTION (T-6)
1	41060145A	HANDLE CP (INCL. SYM. NO. 1A AND 1B)
1A	410601450	HANDLE BARE
1B	410601090	THROTTLE VALVE BUSH
2	410601080	THROTTLE VALVE
3	131108008	O-RING (P-10)
5	130801078	THROTTLE VALVE SPRING
6	134905020	THROTTLE VALVE CAP
7	131101020	O-RING (P-22)
8	410601110	THROTTLE LEVER
9	130606022	SPRING PIN (6 X 22)
10	130801079	THROTTLE LEVER RING
11	410601541	CONNECTING PIPE (NPS 3/4)
13	410601550	CONNECTING PIPE LOCK NUT
14	410601031	CYLINDER CAP (NPS 3/4)
15	134903002	PLUG (NPTF 1/4)
16	410601040	CYLINDER CAP BUSH
17	410601590	OIL FEEDER
18	410601260	UPPER VALVE PLATE
19	410601280	CENTER VALVE PLATE
20	410601150	VALVE
21	130401092	VALVE KNOCK PIN
22	410601270	LOWER VALVE BLOCK
23	131101033	O-RING (P-32)
24	410601010	CYLINDER
25	410601601	EXHAUST DEFLECTOR
26	410601610	PACKING NUT
27	410601620	LOCK RETAINER
28	410601320	INNER BUSH (UPPER)
29	131101035	O-RING (P-35)
30	136101034	PACKING (UPPER)
31	136101035	PACKING (CENTER)
32	136101036	PACKING (LOWER)
33	410601330	OUTER BUSH
34	410601290	PISTON
35	410601650	BUTT (IRON)
36	410601630	CLAMP SCREW
	41060145D	HANDLE ASSY (INCL. SYM. NO. 1,2,3,5,6,7 8,9 AND 10)
(11)	410601540	CONNECTING PIPE (NPT 3/4; OLD TYPE)
(14)	410601030	CYLINDER CAP (NPT 3/4; OLD TYPE)
	41060130D	PACKING CP (INCL. SYM NO. 30,31 AND 32)