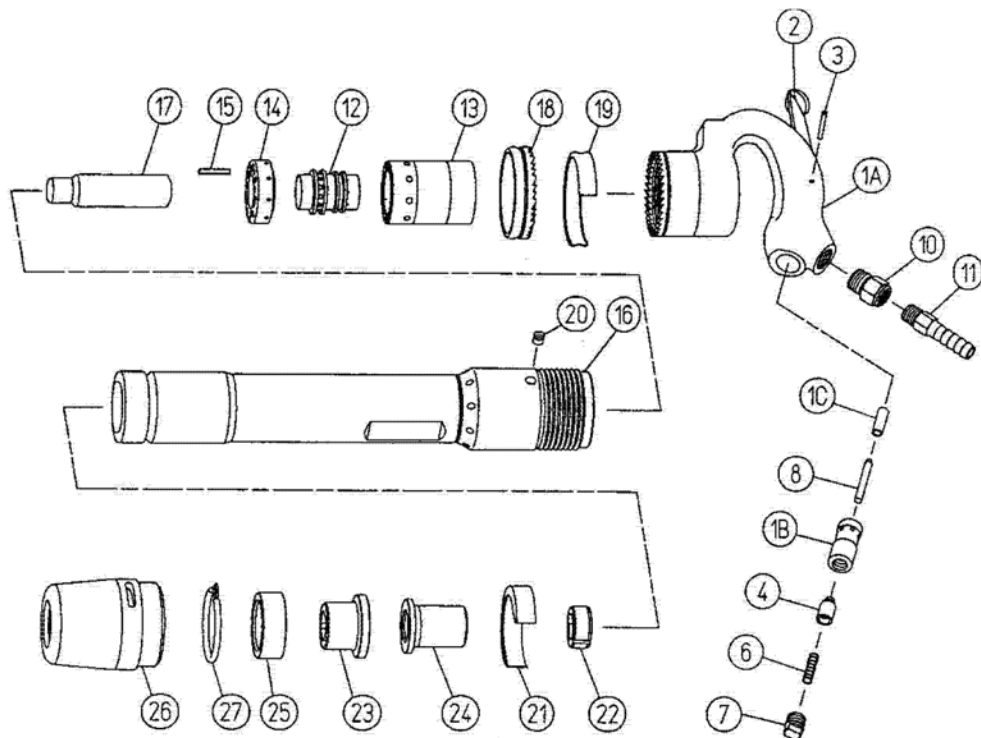




B90
RIVETING HAMMER
TOKURB-91HP



Tools Renewed Inc
800-247-3639 Fax: 860-665-9821
sales@toolsrenewed.com

TOKU RB-91 HP

SYM #	Toku No.	DESCRIPTION
1A	41046601B	HANDLE - COMPLETE
1B	410460060	THROTTLE VALVE BUSHING
1C	410221300	THROTTLE VALVE STEM GUIDE
2	410460040	TRIGGER
3	130401030	TRIGGER PIN
4	410466050	THROTTLE VALVE
6	130801065	THROTTLE VALVE SPRING
7	134905019	THROTTLE VALVE CAP
8	410466C10	THROTTLE VALVE PIN
9	130801066	VALVE PIN SPRING
10	134704030	SCREW BUSHING 1 /2 X 3/8
11	134803040	HOSE STEM 3/8X 1 /2
12	410460100	VALVE
13	410460150	VALVE BOX
14	410460140	VALVE SEAT
15	130401057	VALVE KNOCK
16	410463191	CYLINDER (FOR RB-91D) 1-1 /2"
	410464191	CYLINDER (FOR RB-90D) 1-7/32"
17	410463200	PISTON
18	410460300	CLUTCH
19	410460310	CLUTCH BAND
20	410460320	CLUTCH KEY
21	410460470	EXHAUST BAND
22	410463560	PISTON STOPPER (FOR RB-91D)
	410464560	PISTON STOPPER (FOR RB-90D)
30	410211770	OIL PLUG NPTF 1/2
31	136101011	OIL CONTROL FELT
32	134903001	OIL CNTRL PLG PP-2PT 1/8