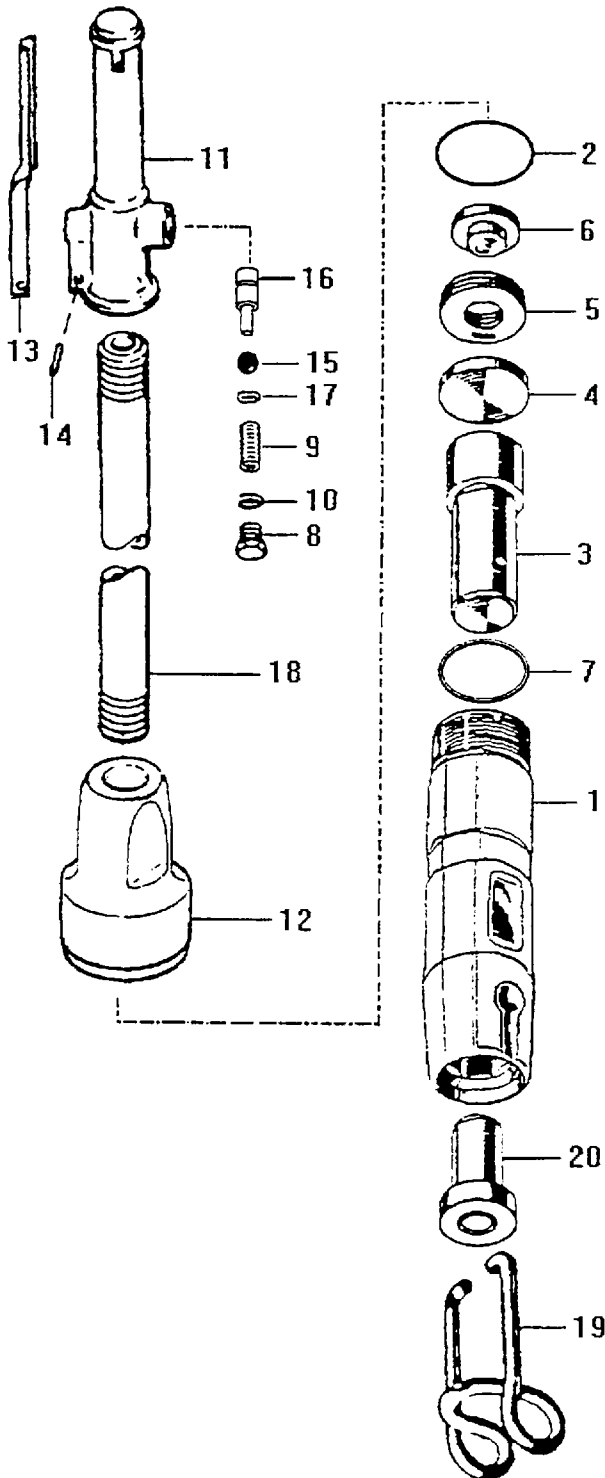




# KFS-3 Redline Kent Floor Scraper



Item	Kent P/N	Description
1	K19125	Cylinder w/Replaceable Bushing (Hex .580")
2	K19126	Cylinder "O"-Ring
3	K19127	Piston
4	K19128	Bumper Valve Plate
5	K19129	Valve Springs (3)
6	K19130	Upper Valve Plate
7	K19131	Lower Valve Ring
8	K04285	Throttle Valve Plug
9	K04284	Throttle Ball Spring
10	K04290	Throttle Valve Plug "O"-Ring
NS	K04269	Throttle Body Complete (Ref. # 8-11, 13-17)
11	K04270	Throttle Body Bare
12	K19132	Solid Backhead
13	K00604	Throttle Lever
14	K00605	Throttle Lever Fulcrum Pin
15	K04277	Throttle Ball
16	K04294	Push Pin
17	K04283	Push Pin "O"-Ring
18	K19133	Connecting Pipe (18")
NS	K19134	Connecting Pipe (24")
NS	K19135	Connecting Pipe (36")
19	K19136	Retainer Spring
20	K19137	Chisel Bushing Hex .580"
NS	K19138	Optional Chisel Bushing Round .680"
NS	K19139	Optional Cylinder w/ 19 x 50mm Hex
NS	K19140	4" Wide Chisel (.580 Hex)

**Tools Renewed Inc**  
**Tel: 800-247-3639 Fax: 860-665-9821**  
**Web: [www.toolsrenewed.com](http://www.toolsrenewed.com)**