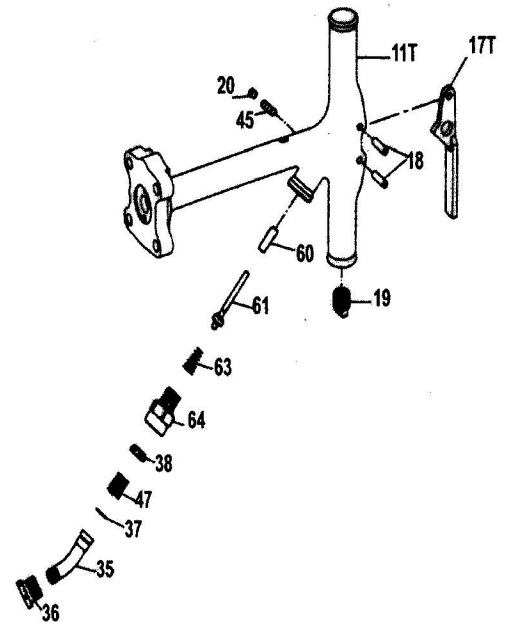
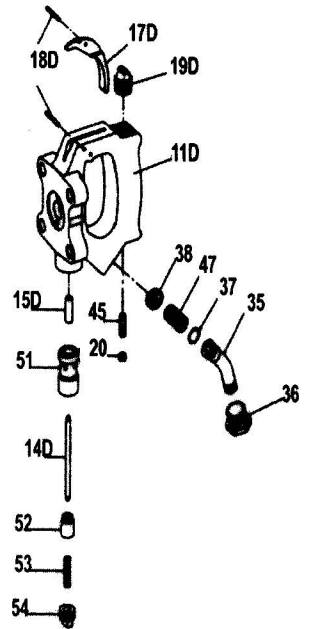
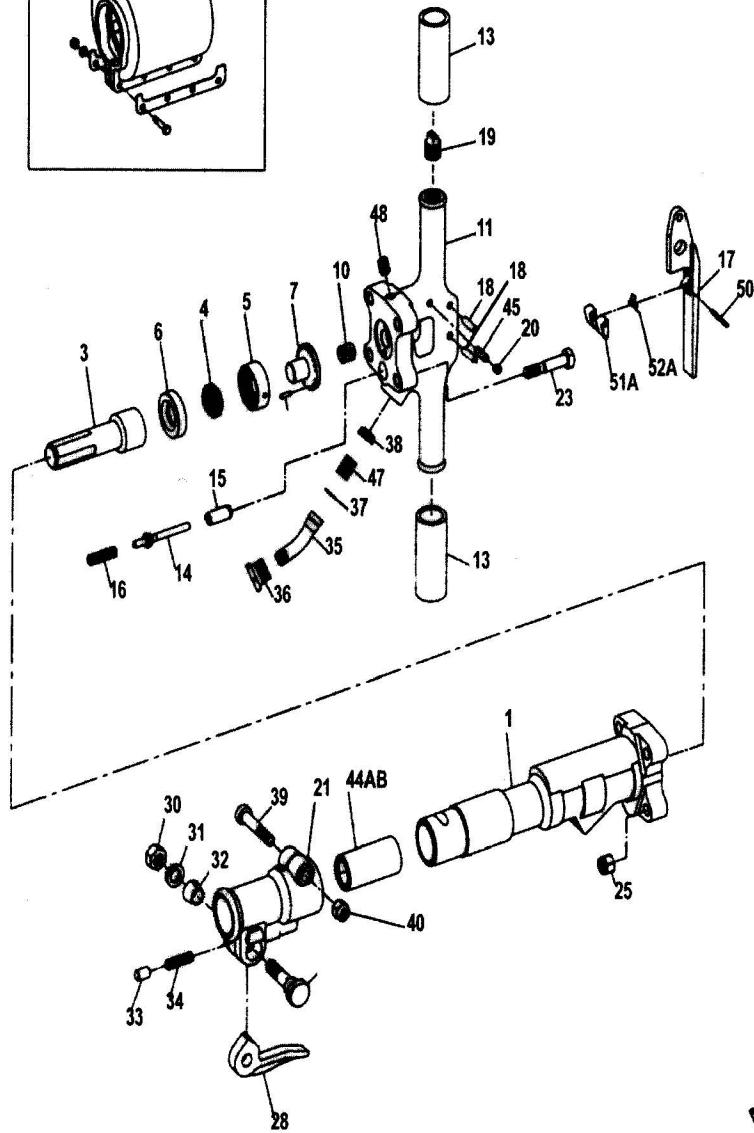
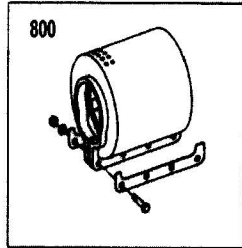


PB30 7/8" / 1" BREAKER PRODUCT # 404703/4/23/24



PB30 7/8" / 1" BREAKER PRODUCT # 404703/4/23/24

REF	PART NUMBER	DESCRIPTION	REQ
1	PTK-410201010	PB30 CYLINDER	1
3	PTK-410201040	PB30 PISTON	1
4	PTK-410201151	PB30 VALVE	1
5	PTK-410201191	PB30 VALVE CHEST	1
6	PTK-410201171	PB30 VALVE SEAT	1
7	PTK-410201201	PB30 VALVE GUIDE	1
8	PTK-130401025	PB30 VALVE CHEST DOWEL PIN	1
10	PTK-130801025	PB30 PLUNGER SPRING	1
11	PTK-410201480	PB30 BACK HEAD (BARE) T-HANDLE	1
11D	PTK-410211480	PB30 BACK HEAD (BARE) DIGGER HANDLE	1
11T	PTK-410221480	PB30 BACK HEAD (BARE) TRENCHER HANDLE	1
13	PTK-136601011	PB30 RUBBER GRIP	2
14	PTK-410201270	PB30 THROTTLE VALVE	1
14D	PTK-130401031	PB30 THROTTLE VALVE STEM (DIGGER)	1
15	PTK-410201300	PB30 THROTTLE VALVE STEM GUIDE	1
15D	PTK-410221300	PB30 THROTTLE VALVE STEM GUIDE (DIGGER)	1
16	PTK-130801026	PB30 THROTTLE VALVE SPRING	1
17	PTK-410241310	PB30 THROTTLE LEVER	1
17A	PTK-410241311	PB30 THROTTLE LEVER FOR STOP LEVER	1
17D	PTK-410211120	PB30 TRIGGER (DIGGER)	1
17T	PTK-410221310	PB30 TRIGGER (TRENCHER)	1
18	PTK-410201330	PB30 THROTTLE LEVER PIN 8X30	2
18D	PTK-130401030	PB32 TRIGGER PIN (DIGGER)	2
19	PTK-134905012	PB30 OIL PLUG 1/2"	1
19D	PTK-410211720	PB30 OIL PLUG 1/2" (DIGGER)	1
20	PTK-134901001	PB30 OIL CONTROL PLUG HEX 1/8"	1
21	PTK-410201530	PB30 FRONT HEAD (BARE)	1
23	PTK-410201500	PB30 BACK HEAD BOLT	4
25	PTK-134201012	PB30 BACK HEAD BOLT NUT	4
28	PTK-410201610	PB30 STEEL RETAINER	1
29	PTK-410201621	PB30 STEEL RETAINER BOLT	1
30	PTK-134601016	PB30 STEEL RETAINER BOLT NUT	1
31	PTK-131301016	PB30 STEEL RETAINER BOLT WASHER	1
32	PTK-410201640	PB30 STEEL RETAINER BOLT BUSHING	1
33	PTK-410201650	PB30 STEEL RETAINER PLUNGER	1
34	PTK-130801028	PB30 STEEL RETAINER SPRING	1
35	PTK-410201370	PB30 AIR INLET SWIVEL	1
36	PTK-410201390	PB30 AIR INLET SWIVEL NUT	1
37	PTK-131103014	PB30 AIR INLET SWIVEL O-RING S-16	1
38	PTK-136801005	PB30 AIR INLET SCREEN	1
39	PTK-410201540	PB30 FRONT HEAD BOLT	1
40	PTK-134201012	PB30 FRONT HEAD BOLT NUT	1
44A	PTK-410201570	PB30 FRONT HEAD BUSHING 7/8"	1
44B	PTK-410205570	PB30 FRONT HEAD BUSHING 1"	1
45	PTK-136101011	PB30 FELT OILER	1
47	PTK-130801027	PB30 AIR INLET SWIVEL SPRING	1
48	PTK-134903002	PB30 OIL TANK PLUG 1/4"	1
50	PTK-130604040	PB30 SPRIN PIN 4X40	1
51	PTK-410211280	PB30 THROTTLE VALVE BUSHING	1
51A	PTK-410241760	PB30 STOP LEVER	1
52	PTK-410211270	PB30 THROTTLE VALVE	1
52A	PTK-130801046	PB30 STOP LEVER SPRING	1
53	PTK-130801032	PB30 THROTTLE VALVE SPRING	1
54	PTK-410211770	PB30 VALVE CAP NPT	1
60	PTK-410221300	PB30 THROTTLE VALVE STEM GUIDE	1
61	PTK-410221270	PB30 THROTTLE VALVE	1
63	PTK-130801030	PB30 THROTTLE VALVE SPRING	1
64	PTK-410221790	PB30 SCREW BUSHING	1
800	PTK-41020187C	PB30 MUFFLER CP	1
11CP	PTK-41020148A	PB30 BACK HEAD CP (T-HANDLE)	1
11DCP	PTK-41021148A	PB30 BACK HEAD CP (DIGGER)	1
11TCP	PTK-41022148A	PB30 BACK HEAD CP (TRENCHER)	1
21ACP	PTK-41020153D	PB30 FRONT HEAD CP 7/8"	1
21BCP	PTK-41020553D	PB30 FRONT HEAD CP 1"	1