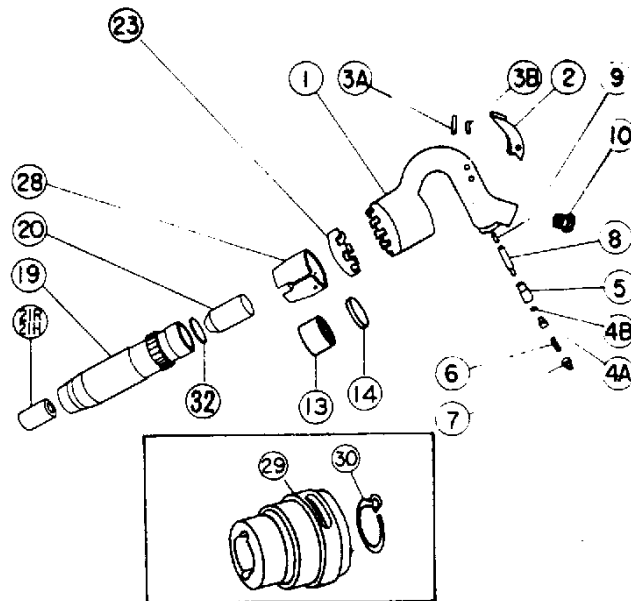


# JET Air Tool Parts

## JCO-RV (all sizes) Chipping Hammer



| Symbol No. | Q'ty Req'd | Q'ty Req'd | Description             |
|------------|------------|------------|-------------------------|
| 1          | 1          | 1          | Handle                  |
| 2          | 1          | 1          | Lever                   |
| 3A         | 1          | 1          | Lever Pin (L)           |
| 3B         | 1          | 1          | Lever Pin (S)           |
| 4A         | 1          | 1          | Throttle Valve          |
| 4B         | 1          | 1          | Throttle Valve "O" Ring |
| 5          | 1          | 1          | Throttle Valve Bush     |
| 6          | 1          | 1          | Throttle Valve Spring   |
| 7          | 1          | 1          | Throttle Valve Cap      |
| 8          | 1          | 1          | Push Rod                |
| 9          | 1          | 1          | Push Rod Sleeve         |
| 10         | 1          | 1          | Screw Bush              |
| 13         | 1          | 1          | Ring Valve              |
| 14         | 1          | 1          | Valve Plate             |
| 19-1       | 1          | -          | Cylinder for -1R/1RB    |
| 19-2       | -          | 1          | Cylinder for -2R/2RB    |
| 19-3       | 1          | -          | Cylinder for -3R/3RB    |
| 19-4       | -          | 1          | Cylinder for -4R/4RB    |
| 20-1       | 1          | -          | Piston for -1R/1RB      |
| 20-2       | -          | 1          | Piston for -2R/2RB      |
| 20-3       | 1          | -          | Piston for -3R/3RB      |
| 20-4       | -          | 1          | Piston for -4R/4RB      |
| 21R        | 1          | 1          | Shank Bush (Round)      |
| 21H        | (1)        | (1)        | Shank Bush (Hex)        |
| 23         | 1          | 1          | Clutch                  |
| 28         | 1          | 1          | Exhaust Band            |
| 29         | -          | 1          | Retainer                |
| 30         | 1          | 1          | Retainer Spring         |
| 32         | 1          | 1          | "O" Ring                |

For Parts Call Tools Renewed (800) 247-3639 Fax (860) 665-9821