



Tools Renewed  
 Tel: 800-247-3639  
 Fax: 860-665-9821  
 www.toolsrenewed.com

Henry Tools  
**MODEL**  
 56 VL  
 56 VS

What kind of Front Bearing Support do you have??  
**NEW FOR YEAR 2002**

550-1-BTB  
 or 550-1B

700-7  
 Bearing

550-25  
 Spacer

550-21

**NEW STYLE**

Updated 1/30/2004

550-1-BT

Note: This Plate has  
 Threads

700-7  
 Bearing

700-6  
 Lock Nut

700-49  
 Set Screw

**OLD STYLE**

# VERTICAL GRINDERS

(3 H.P.)

## MODEL

56 VL

56 VS



Model 56VL Vertical  
Grinder 6000RPM Stan-  
dard.

### Governors

- AA-550-30 (3000RPM)
- AA-550-45 (4500RPM)
- AA-550-60 (6000RPM)
- AA-550-80 (8000RPM)
- AA-550-90 (9000RPM)

## GUARDS & ACCESSORIES

700-200 (7" Guard)  
700-201 (9" Guard)

SPIRALCOOL PADS

412988  
(6" Cup Guard)

849914 (9" Pad)  
849913 (7" Pad)  
849259 Nut

849269  
(Depressed Whl. Adapt. Kit)

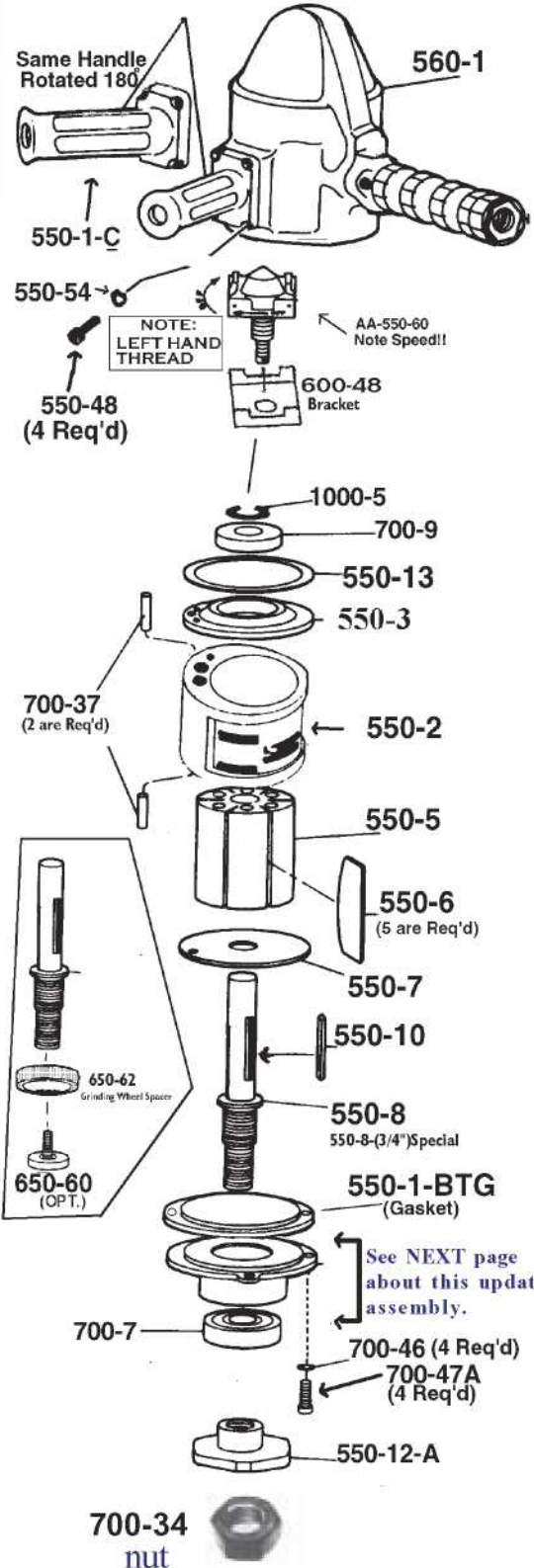
### ACCESSORIES



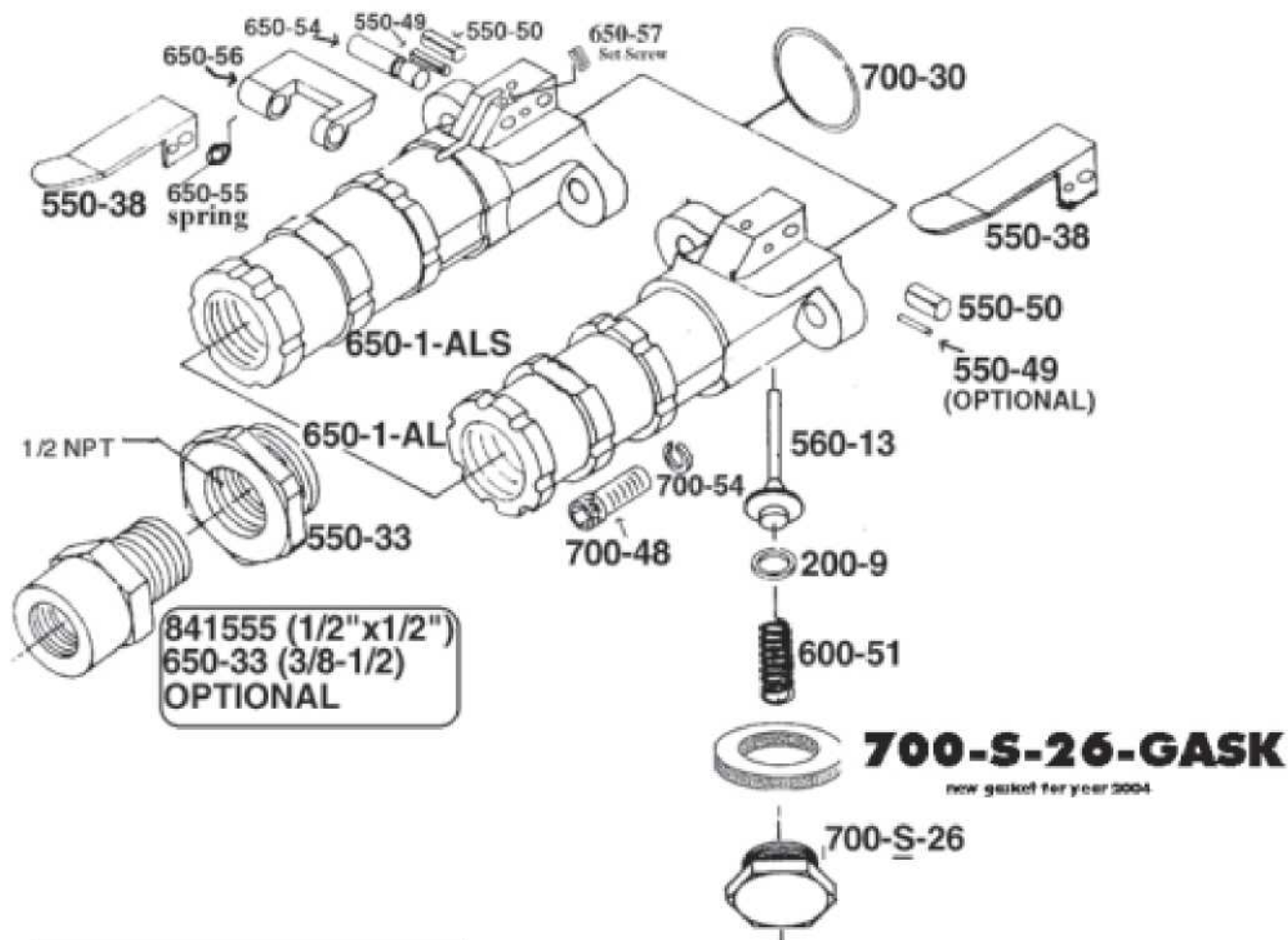
### REPAIR KIT FOR 56V GRINDER

Part # **5000-56V** or (510123)  
Includes:

- |   |        |           |
|---|--------|-----------|
| 5 | 550-6  | Blades    |
| 1 | 700-9  | Bearing   |
| 1 | 700-7  | Bearing   |
| 1 | 1000-5 | Snap ring |
| 1 | 550-13 | Gasket    |



# LIVE HANDLE ASSEMBLY



## Live Handle Parts

200-9	O-Ring (413056)
550-33	Adapter Cap(412977)
550-38	Lever (412977)
550-49	Pin (842320) (T.Lev.) (OPTIONAL)
550-50	Pin (1/4x1")
560-13	Thr. Valve Assembly
600-51	Plunger Spring
650-1-AL	Valve Body (Lev.Handle)(LIVE HANDLE)
650-1-ALS	Valve Body(Lev.Handle)(SAFETY HANDLE)
650-33	Screen Handle Bushing 1/2Mx3/8F
650-54	Pin for Safety Handle
650-55	Spring for Safety Handle
650-56	Lock out for Safety Handle
650-57	Set Screw
700-30	"O"-Ring
700-48	Cap Screw (For Live Handle)(2 Reqd)
700-54	Lock Washer (High Collar)(2 reqd)
700-S-26	Plug (413290) (Thr. Valve)
700-S-26-GASK	Gasket
841555	Screen Handle Bushing 1/2x1/2

Live Handle Assembly Complete  
Part # AA-650-1-AL

Part # AA-650-1-ALS (SAFETY  
LOCK)



**WARNING**

Always wear hearing protection when operating this tool.