

# MODEL 4075 4100 PAVING BREAKER 4074 SPIKE DRIVER

Tools Renewed, Inc.  
800-247-3639  
Fax: 860-665-9821  
Email: sales@toolsrenewed.com

## 90 LB. CLASS

MODEL 4075 - 1-1/8" x 6" HEX CHUCK

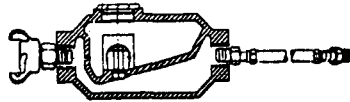
MODEL 4100 - 1-1/4" x 6" HEX CHUCK

**SYM. NO. 51, P/N 66951 - BACKHEAD COMPLETE**  
(Includes 11, 13, 15, 17, 18, 19, 20, 45 & 48)

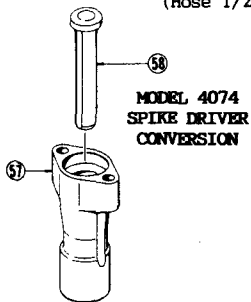
**SYM. NO. 55, P/N 66955 - FRONTHEAD, COMPLETE 1-1/8"**  
(Includes 21, 28, 29, 30, 31, 32, 33, 34 & 43=1/1/8")

**SYM. NO. 56, P/N 66956 - FRONTHEAD, COMPLETE 1-1/4"**  
(Includes 21, 28, 29, 30, 31, 32, 33, 34 & 44=1-1/4")

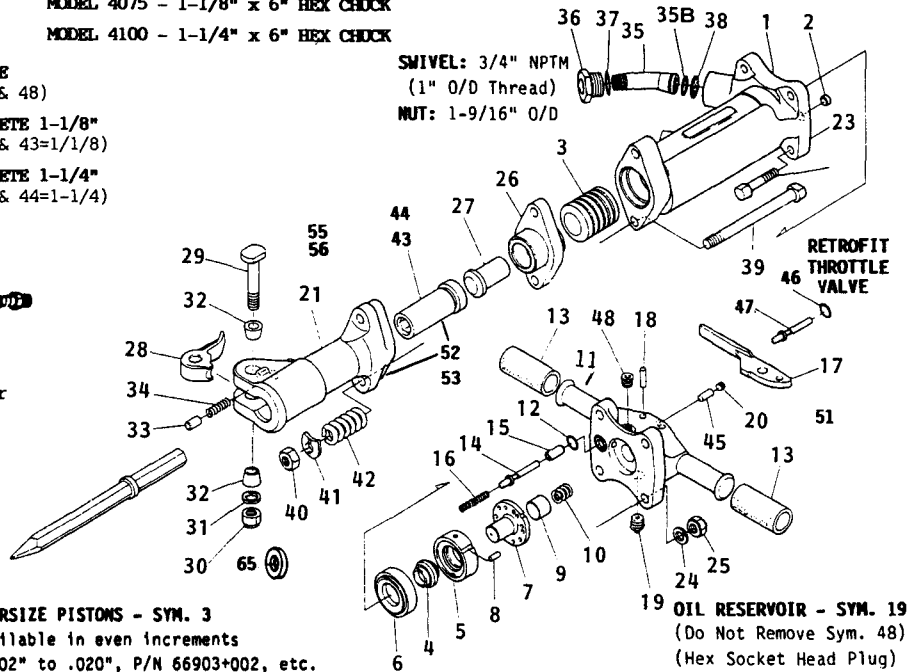
SWIVEL: 3/4" NPTM  
(1" O/D Thread)  
NUT: 1-9/16" O/D



**WHIP HOSE/LUBRICATOR ASSY.**  
9095-4 Hose, 9372 Lubricator  
(Hose 1/2" I/D X 10 Foot)



**MODEL 4074  
SPIKE DRIVER  
CONVERSION**



**OVERSIZE PISTONS - SYM. 3**  
Available in even increments  
+.002" to .020", P/N 66903+002, etc.

**RETROFIT  
THROTTLE  
VALVE**

**OIL RESERVOIR - SYM. 19**  
(Do Not Remove Sym. 48)  
(Hex Socket Head Plug)

SYM. NO.	NAME OF PART DESCRIPTION	AMT RQD	PART NO.	SYM. NO.	NAME OF PART DESCRIPTION	AMT RQD	PART NO.
1	Cylinder, bare	1	66901	31	Lockwasher, steel retainer bolt	1	66931
2	Plug, cylinder	5	66902	32	Bushing, rubber (EDM), retainer bolt	1	66932R
3	Piston (hammer)	1	66903		Bushing, polyurethane, retainer bolt		66932P
4	Valve, automatic	1	66904		Bushing, steel (split), retainer bolt		66932S
5	Chest, automatic valve, rear	1	66905	33	Plunger, steel retainer	1	66933
6	Seat, automatic valve, front	1	66906	34	Spring, steel retainer plunger	1	66934
7	Guide (stem), automatic valve	1	66907	35	Swivel, air inlet 3/4" NPTM	1	66935
8	Pin, dowel, automatic valve assy.	1	66908	35B	O/ring for 3/4" NPTM swivel	1	66922
9	Plunger (cap), automatic vlv. assy.	1	66909	36	Nut, 1-9/16" O/D thrd for 3/4" swvl	1	66936
10	Spring, plunger, automatic vlv. assy.	1	66910	37	O/ring for 1-9/16" thrd swivel nut	1	66937
11	Backhead, bare (with bushing)	1	66911	38	Screen, air for 3/4" swivel assy.	1	66938
12	O/ring (seal), backhead	1	66912	39	Bolt, fronthead	2	66939
13	Grip, handle, rubber	2	66913	40	Nut, fronthead bolt	2	66940
14	Valve, throttle (standard original)	1	66914	41	Lockwasher, fronthead bolt nut	2	66941
15	Bushing, throttle valve	1	66915	42	Spring, fronthead bolt	2	66942
16	Spring, throttle valve	1	66916	43	Bushing, hx, fronthead 1-1/8" x 6"	1	66943
17	Lever, throttle	1	66917	44	Bushing, hx, fronthead 1-1/4" x 6"		66944
18	Pin, throttle lever	2	66918	45	Felt (wick), oil control	1	66945
19	Plug, handle oil rreservoir	1	66919	46	O/ring, retrofit throttle vlv(66947)		66946
20	Plug, oil control, for felt wick	1	66920	47	Valve, throttle, retrofit(use 66946)		66947
21	Fronthead, bare (no ck.bushing or ret)	1	66921	48	Plug, hex skt head	2	66948
23	Bolt, backhead	4	66923	51	Backhead, complete		66951
24	Lockwasher, backhead bolt	4	66924	52	Fronthead w/bushing only, 1-1/8" hx		66952
25	Nut, backhead bolt	4	66925	53	Fronthead w/bushing only, 1-1/4" hx		66953
26	Seat, tappet (anvil bushing)	1	66926	55	Fronthead,complete 1-1/8"bushing & latch		66955
27	Tappet (anvil)	1	66927	56	Fronthead,complete,1-1/4"bushing & latch		66956
28	Retainer, steel (latch)	1	66928	57	Driver, spike fronthead		66957
29	Bolt, steel retainer	1	66929	58	Ram (dolly) spike driver		66958
30	Nut, steel retainer bolt	1	66930	65	Washer, flat, 66932 bushing cover		67545

WHEN ORDERING PARTS, PLEASE SPECIFY MAKE, MODEL, PART NUMBER AND PART DESCRIPTION.