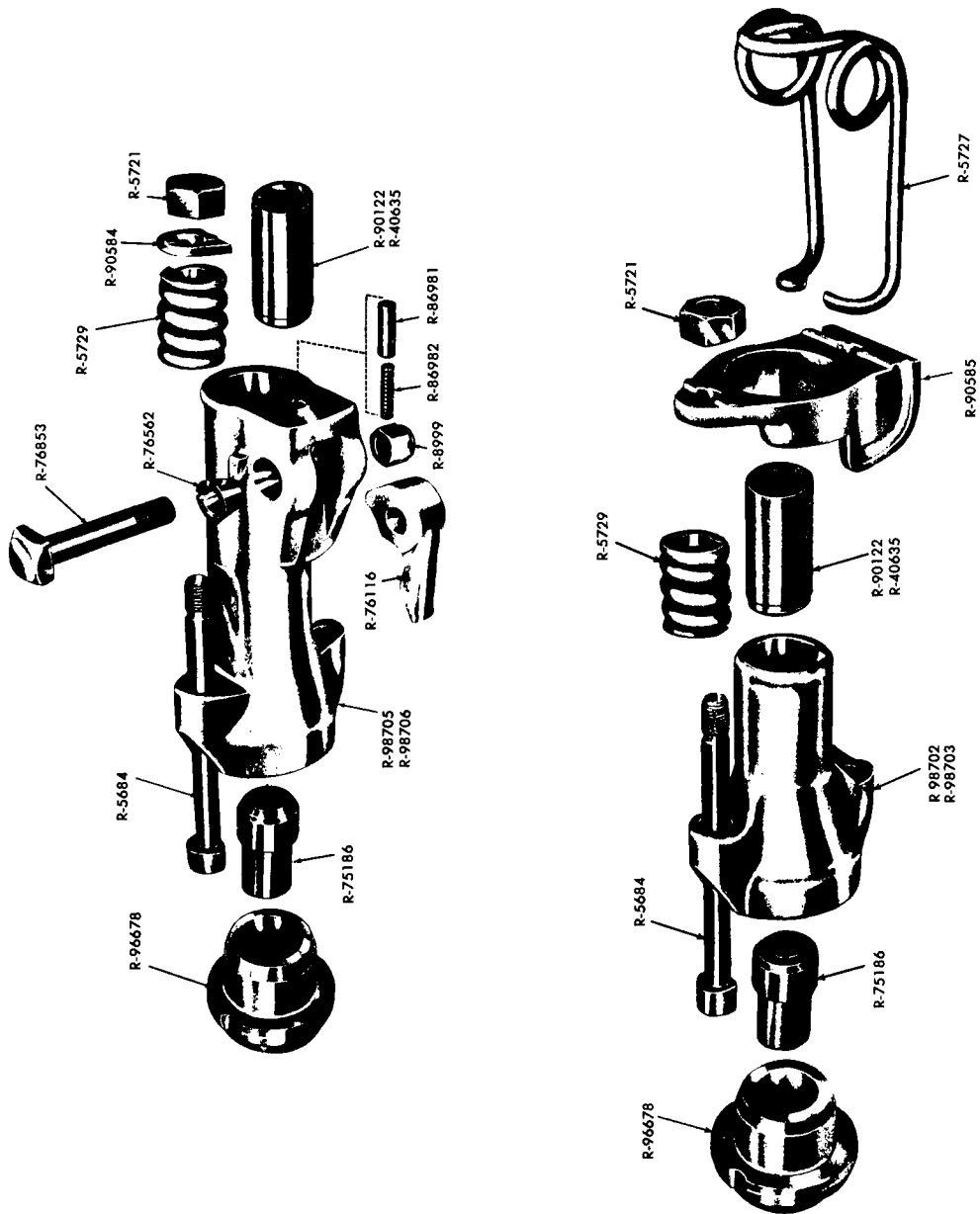


CHICAGO PNEUMATIC MODEL 117 PAVING BREAKER

For Parts And Accessories

Tools Renewed Inc
Tel: 800-247-3639 Fax: 860-665-9821
Email: sales@toolsrenewed.com



Chicago Pneumatic Model 117 Paving Breaker

Tools Renewed Inc
Tel: 800-247-3639
Fax: 860-665-9821
Email: sales@toolsrenewed.com

PART NO.	REF. NO.	NAME OF PART	PART NO.	REF. NO.	NAME OF PART
		HANDLE			
R4976	2703	Oil Regulating Plug	R96678	2738	Anvil Collar
R2164	2702	Backhead Bolt Nut	R75186	2715	Anvil Piston
R85169	2725	Backhead Bolt Washer			FRONTHEAD
R5712	2705	Throttle Lever	R5684	2704	Fronthead Bolt Bare
R75139	2717	Backhead Bolt	R90122	2729	1 1/4 Hex. Bushing
R5713	2706	Throttle Lever Pin	R40635	2730	1 1/4 Hex. Bushing
R5716	2707	Rubber Grip	R98725	2746	Fronthead 1 1/4
R75192	2720	Valve Bearing Stem	R98706	2739	Fronthead Latch Type
R75191	2719	Valve Bushing	R98723	2745	Fronthead Wire Type 1 1/4
R75190	2718	Valve	R98703	2740	Fronthead Wire Type
R45373	2737	Throttle Valve	R5729	2712	Fronthead Bolt Spring
R5754	2713	Throttle Valve Includes 2733	R5721	2709	Fronthead Bolt Nut
R98368	2733	Throttle Valve "O" Ring	R5728	2744	Retainer Support 2 5/8 Dia.
R5717	2708	Throttle Valve Spring			
R75031	3369	Oil Plug Plain Handle	R76119	2722	Fronthead Bolt Lock Washer
R560	2701	Oil Plug Rubber Grip Handle	R90584	2734	Fronthead Bolt Lock Washer
		CYLINDER	R86981	2727	Retainer Plunger
R530	3360	Air Inlet Swivel Nut	R86982	2728	Retainer Plunger Spring
R40	2700	Piston	R8999	2714	Retainer Bolt Nut
R85396	2726	Air Inlet Bushing	R76116	2721	Retainer
R85269	3390	Air Swivel	R76562	2723	Retainer Bolt Bushing
			R5727	2731	Steel Retainer Spring
			R76853	2724	Retainer Bolt
			R76935	2732	Spike Driver Dolly
			R98047	2742	Steel Retainer—Crust Breaker

